

GlammFire

# Burners Burner III



Fully made from stainless steel, our bioethanol burners have a contemporary design and outstanding manufacturing quality. The resistance and safety of the materials reinforce their excellent versatility as pieces of high functional and decorative nature. They are more and more becoming part of projects by architects and interior designers.

## GlammFire

Glammfire, Lda.  
Zona Industrial da Lagoa, Lote G1  
Rua da Suíça, nº213 4950-850  
MONÇÃO - PORTUGAL

Tel(+351) 251 654 800  
Fax(+351) 251 654 801  
info@glammfire.com  
www.glammfire.com

*glamm*  
fire

GlammFire

# Burners Burner III

Burner III / stainless steel



Dimensions// 86 h x 487 w x 227 d mm

Weight//11 kg

Accessories// Key, Lighter, Funnel, Container/measuring jug ,

Optional Accessories // Support III + Glass and Protection cover

Tank// 3L or 2,5L with ceramic

Power// 4,5 kW

Burning time// Position med. 3 litres/ 6h

Position max. 3 litres/ 3h:30

## GlammFire

Glammfire, Lda.  
Zona Industrial da Lagoa, Lote G1  
Rua da Suíça, nº213 4950-850  
MONÇÃO - PORTUGAL

Tel(+351) 251 654 800  
Fax(+351) 251 654 801  
info@glammfire.com  
www.glammfire.com

*glamm*  
fire

# Burners

# Burner III

## Installation

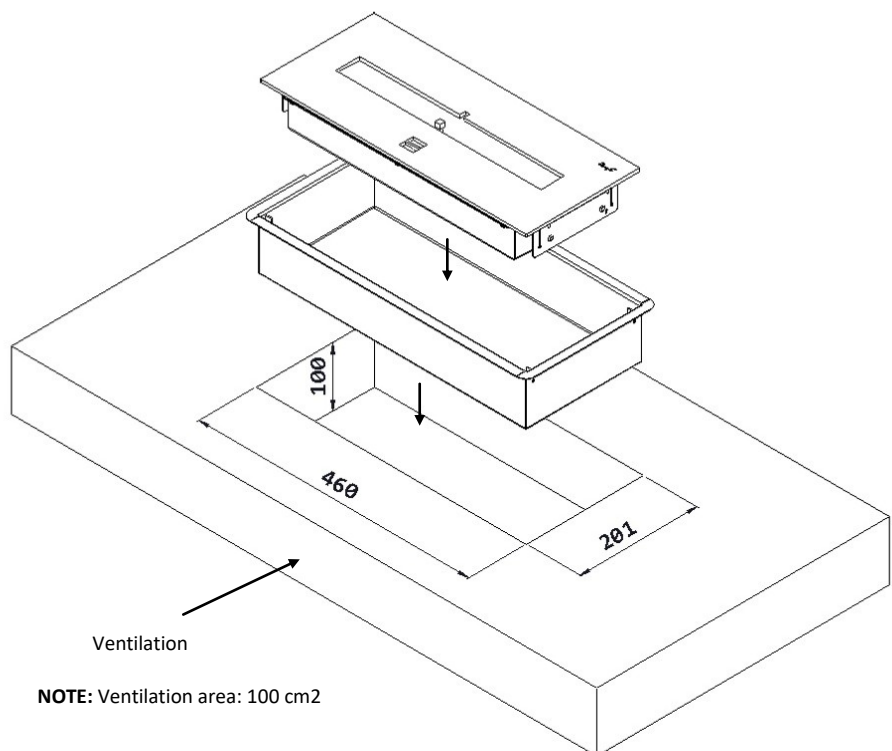
In order to ensure a safety margin with respect to the ground, it is recommended a minimum distance of 400 mm between the floor and the top of the burner;

The surface on you want to install the burner should be as level as possible.

## Dimensions:

Ensure the hole where you want to place the burner has the following minimum dimensions, as shown in the figure below:

- Length: 460 mm;
- Width: 201 mm;
- Depth: 100 mm;



## GlammFire

Glammfire, Lda.  
Zona Industrial da Lagoa, Lote G1  
Rua da Suíça, n°213 4950-850  
MONÇÃO - PORTUGAL

Tel(+351) 251 654 800  
Fax(+351) 251 654 801  
info@glammfire.com  
www.glammfire.com

# Burners

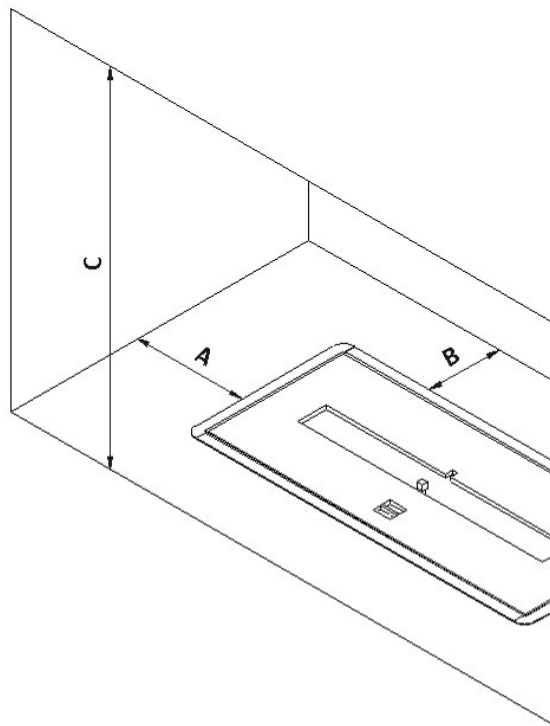
# Burner III

## Flammable materials

- Do not place flammable materials near the fireplace, within 1m;
- Racks or shelves should be distant:
  - From fireplaces: 500 mm;
  - From burners: 1 m;

## 5.3—Materials: stone/metal/ceramics

- A - 150 mm;
- B - 100 mm;
- C - 500 mm;



## GlammFire

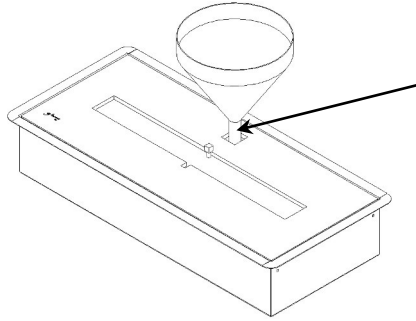
Glammfire, Lda.  
Zona Industrial da Lagoa, Lote G1  
Rua da Suíça, nº213 4950-850  
MONÇÃO - PORTUGAL

Tel(+351) 251 654 800  
Fax(+351) 251 654 801  
info@glammfire.com  
www.glammfire.com

# Burners Burner III

## Utilization

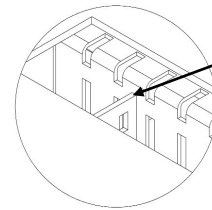
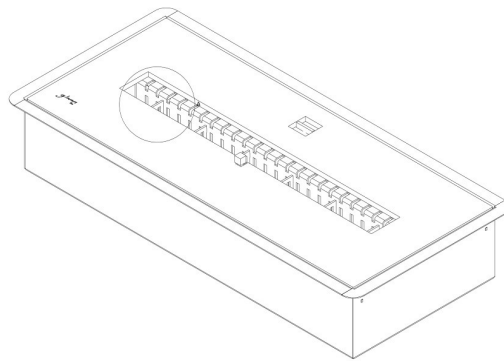
### Fuel Filling



To filling the burner you have to push down the feeder. Then you have a small opening to put bioethanol. When you finish the process let it go and the feeder closed.

This system is completely safety because only allows insert fuel when the flame goes off.

### Advisable maximum filling



Bioethanol:  
Maximum  
level

We advise to all users to fill the burner only to the bars mark ( like you can see in the picture) Its capacity is define to support 3 litres.

### Acender / Desligar

Após o carregamento do combustível deve abrir o fecho e atear a chama com o isqueiro ou com a própria chave (humedecer a chave no bioetanol e atear fogo com o isqueiro).

Para desligar basta apenas deslocar o fecho com o auxílio da chave para a posição off.

#### CONSELHOS :

- Se a chama não se apagar da primeira vez que fechar a tampa faça-o mais energicamente.
- É aconselhável deixar a tampa entreaberta para evitar a condensação dos gases libertados.

## GlammFire

Glammfire, Lda.  
Zona Industrial da Lagoa, Lote G1  
Rua da Suíça, nº213 4950-850  
MONÇÃO - PORTUGAL

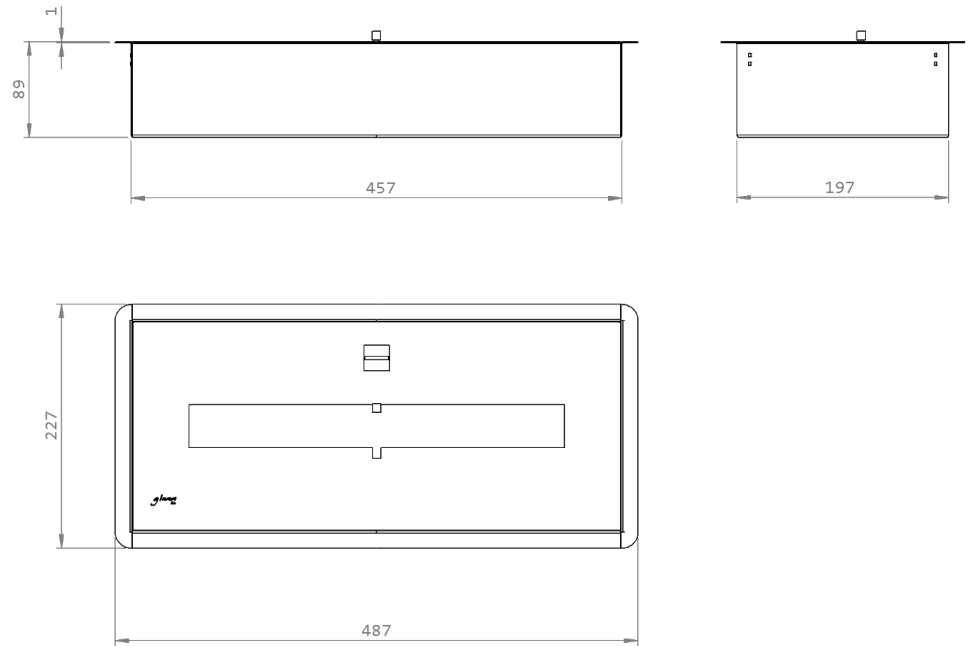
Tel(+351) 251 654 800  
Fax(+351) 251 654 801  
info@glammfire.com  
www.glammfire.com



GlammFire

# Burners Burner III

Overall dimensions



GlammFire

Glammfire, Lda.  
Zona Industrial da Lagoa, Lote G1  
Rua da Suíça, nº213 4950-850  
MONÇÃO - PORTUGAL

Tel(+351) 251 654 800  
Fax(+351) 251 654 801  
info@glammfire.com  
www.glammfire.com

PT02614-F

*glamm*  
fire