

GlammFire

# Combustion zones



GlammFire

Glammfire, Lda.  
Zona Industrial da Lagoa, Lote G1  
Rua da Suíça, nº213 4950-850  
MONÇÃO - PORTUGAL

Tel(+351) 251 654 800  
Fax(+351) 251 654 801  
info@glammfire.com  
www.glammfire.com

**// BIOETHANOL**

**// FIREWOOD/ CHARCOAL**

**// GAS**

*glamm*  
fire

GlamFire

# Bioethanol



## Technical characteristics

### **Burner I**

**Type//** Mechanical

**Material//** Stainless steel

**Fuel//** Liquid bioethanol

**Capacity//** 2 L

**Power//** 3,4 kW

**Autonomy//** 4-6 hours

**Minimum recommended area//** 18 sqm

**Accessories//** Glass ring support · included

with high temperature resistant round glass 1 (315 Ø x 250 h mm) · optional

with high temperature resistant round glass 2 (315 Ø x 100 h mm) · included

// Cover · optional

// Decorative ceramic logs (each pack has 5 units) · optional

## GlamFire

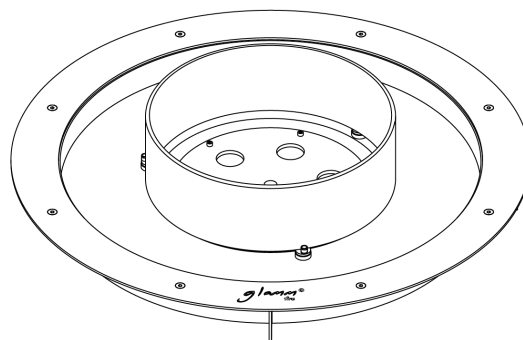
Glamfire, Lda.  
Zona Industrial da Lagoa, Lote G1  
Rua da Suíça, nº213 4950-850  
MONÇÃO - PORTUGAL

Tel(+351) 251 654 800  
Fax(+351) 251 654 801  
info@glammfire.com  
www.glammfire.com

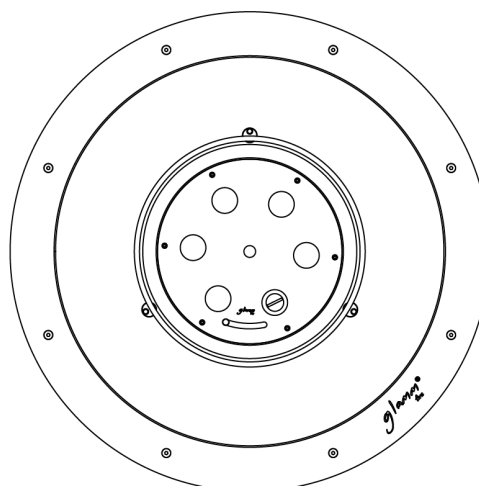
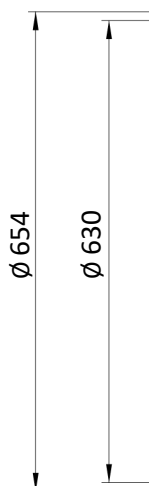
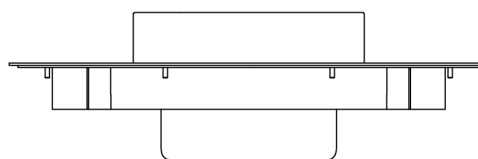
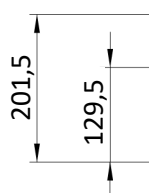
*glamm*  
fire

GlammFire

# Bioethanol



## General dimensions



## GlammFire

Glammfire, Lda.  
Zona Industrial da Lagoa, Lote G1  
Rua da Suíça, nº213 4950-850  
MONÇÃO - PORTUGAL

Tel(+351) 251 654 800  
Fax(+351) 251 654 801  
info@glammfire.com  
www.glammfire.com

*glamm*  
fire

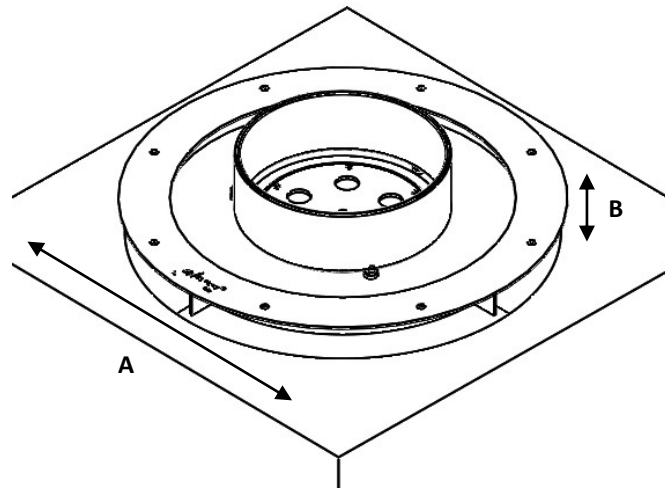
GlammFire

# Bioethanol

## Built-in dimensions

Bioethanol combustion zone	Diameter (A)	Height (B)
	635mm	>130mm

Table 1: Minimum dimensions required for the installation hole.



Note: The surface where the bioethanol combustion zone round is installed must be properly leveled.

## GlammFire

Glammfire, Lda.  
Zona Industrial da Lagoa, Lote G1  
Rua da Suíça, nº213 4950-850  
MONÇÃO - PORTUGAL

Tel(+351) 251 654 800  
Fax(+351) 251 654 801  
info@glammfire.com  
www.glammfire.com

*glamm*  
fire

GlamFire

# Firewood/ Charcoal



## **Combustion Zone**

**Material**// AISI 316 stainless steel

**Finishing**// Brushed AISI 316 stainless steel

**Dimensions**// 654 Ø x 240 h mm

**Fuel**// Firewood/ Charcoal

**Accessories**// Ash vacuum cleaner · included

// Barbecue mitt · included

// Cooking grill · optional

// Spark screen · optional

// Fuel compartment cover in black lacquered steel · optional

// Fuel compartment cover in brushed stainless steel · optional

## **GlamFire**

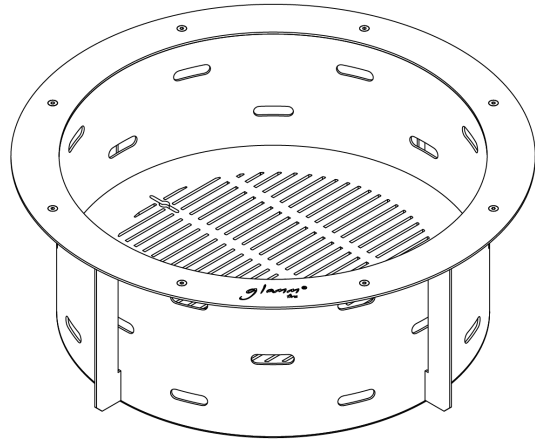
Glamfire, Lda.  
Zona Industrial da Lagoa, Lote G1  
Rua da Suíça, nº213 4950-850  
MONÇÃO - PORTUGAL

Tel(+351) 251 654 800  
Fax(+351) 251 654 801  
info@glamfire.com  
www.glamfire.com

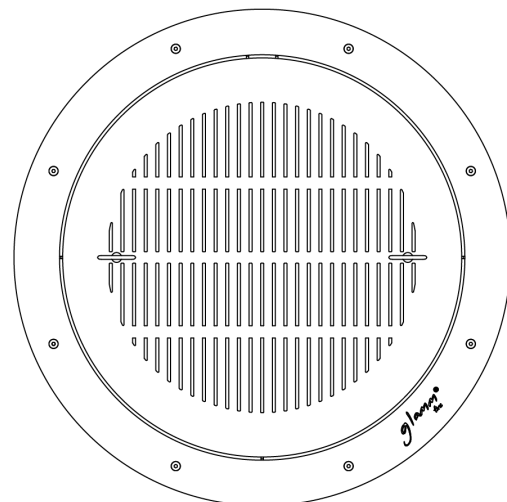
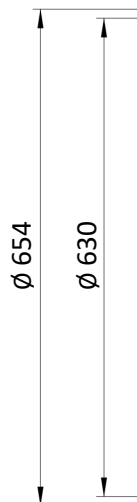
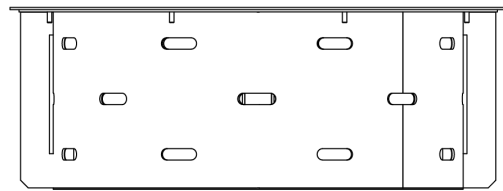
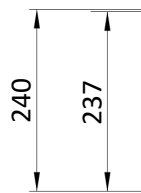
*glam*  
fire

GlammFire

# Firewood/ Charcoal



## General dimensions



## GlammFire

Glammfire, Lda.  
Zona Industrial da Lagoa, Lote G1  
Rua da Suíça, nº213 4950-850  
MONÇÃO - PORTUGAL

Tel(+351) 251 654 800  
Fax(+351) 251 654 801  
info@glammfire.com  
www.glammfire.com

*glamm*  
fire

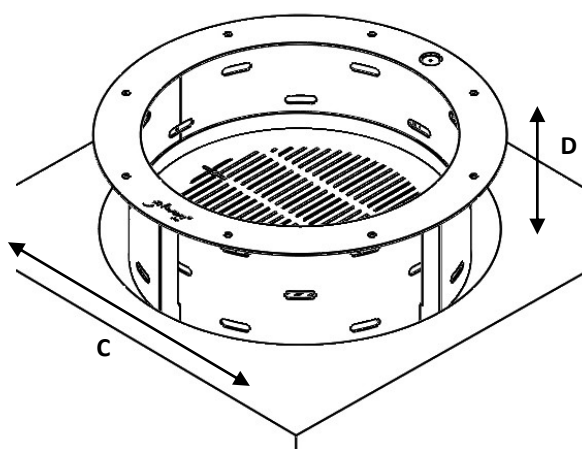
GlammFire

# Firewood/ Charcoal

## Built-in dimensions

Firewood combustion zone	Diameter (C)	Height (D)
	635mm	>290mm

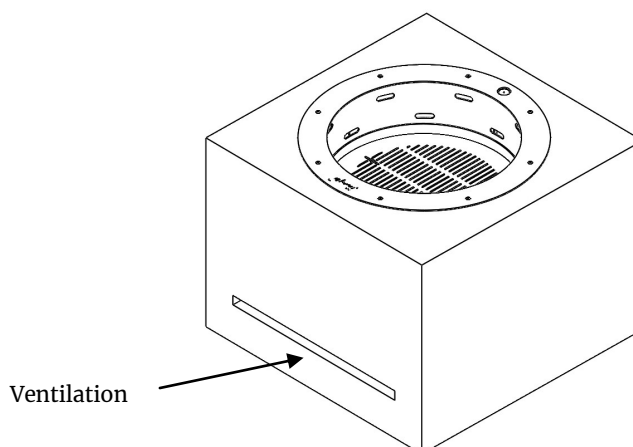
Table 1: Minimum dimensions required for the installation hole.



Note: The surface where the firewood combustion zone round is installed must be properly leveled.

## Ventilation area

Adequate ventilation must be provided for proper installation. A ventilation area of **320 cm<sup>2</sup>** must be taken into account.



## GlammFire

Glammfire, Lda.  
Zona Industrial da Lagoa, Lote G1  
Rua da Suíça, nº213 4950-850  
MONÇÃO - PORTUGAL

Tel(+351) 251 654 800  
Fax(+351) 251 654 801  
info@glammfire.com  
www.glammfire.com

*glamm*  
fire

GlammFire

# Gas



## Technical characteristics

### Combustion zone

**Materials**// AISI 316 stainless steel

**Finishing**// Brushed AISI 316 stainless steel

**Dimensions**// 654 Ø x 276 h mm

**Fuel**// Propane gas / Butane gas / Natural gas

**Ignition mode**// Remote control

**Type of combustion**// Open

**Power**// 5–20 kW

**Accessories**// Combustion zone decorative stones · optional

(white/ black decorative marble stones 3 kg/pack);

// Decorative ceramic logs (each pack has 5 units) - optional;

// Decorative glass · optional;

// Set of 4 high temperature resistant glass - optional;

// Volcanic stones - optional;

// Fuel compartment cover in black lacquered steel - optional;

// Fuel compartment cover in brushed stainless steel - optional;

// Domotics - optional;

// External box for batteries - optional.

## GlammFire

Glammfire, Lda.  
Zona Industrial da Lagoa, Lote G1  
Rua da Suíça, nº213 4950-850  
MONÇÃO - PORTUGAL

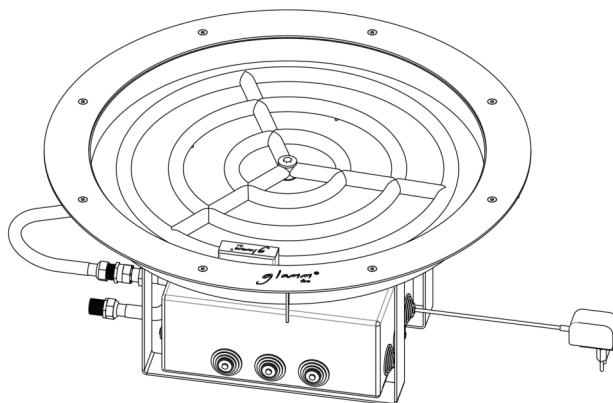
Tel(+351) 251 654 800  
Fax(+351) 251 654 801  
info@glammfire.com  
www.glammfire.com

*glamm*  
fire

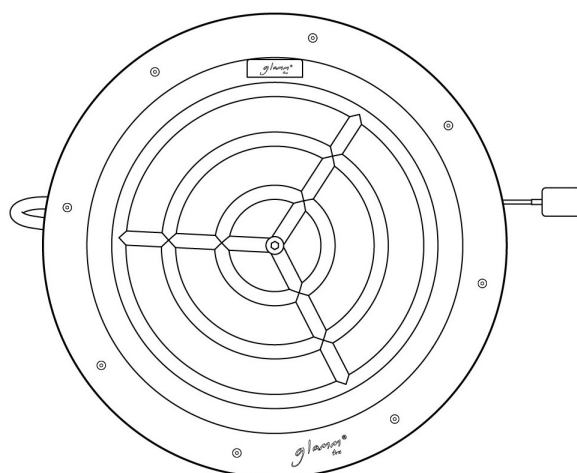
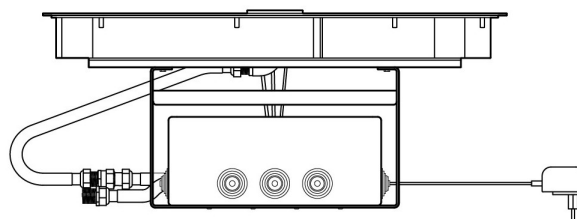
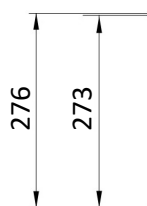


GlammFire

# Gas



## General dimensions



## GlammFire

Glammfire, Lda.  
Zona Industrial da Lagoa, Lote G1  
Rua da Suíça, nº213 4950-850  
MONÇÃO - PORTUGAL

Tel(+351) 251 654 800  
Fax(+351) 251 654 801  
info@glammfire.com  
www.glammfire.com

*glamm*  
fire

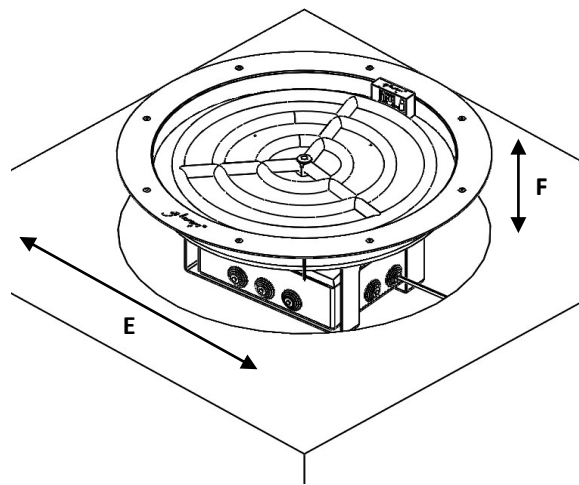
GlammFire

# Gas

## Built-in dimensions

Gas combustion zone	Diameter (A)	Height (B)
	635mm	>290mm

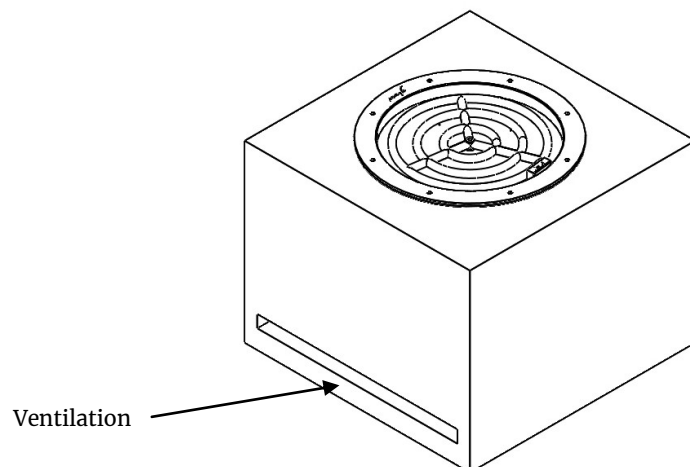
Table 1: Minimum dimensions required for the installation hole.



Note: The surface where the gas combustion zone round is installed must be properly leveled.

## Ventilation area

Adequate ventilation must be provided for proper installation. A ventilation area of 552 cm<sup>2</sup> must be taken into account.



## GlammFire

Glammfire, Lda.  
Zona Industrial da Lagoa, Lote G1  
Rua da Suíça, nº213 4950-850  
MONÇÃO - PORTUGAL

Tel(+351) 251 654 800  
Fax(+351) 251 654 801  
info@glammfire.com  
www.glammfire.com

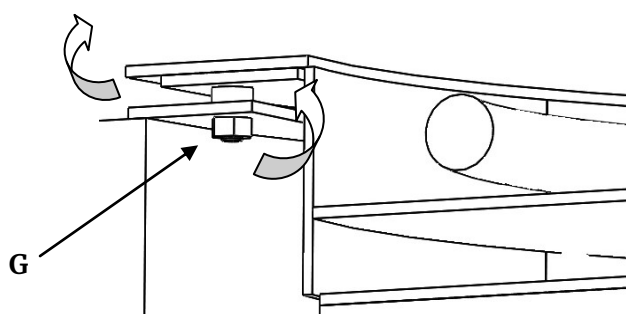
*glamm*  
fire

# Gas

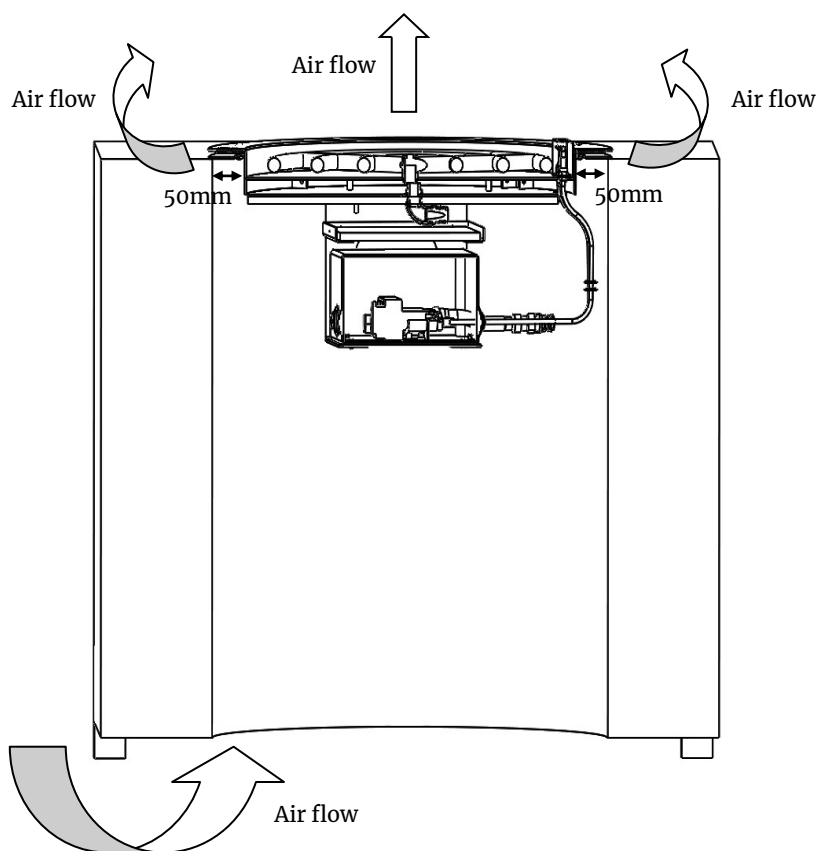
When installing the gas combustion zone round, ventilation (ca. 50mm) must be ensured around the gas combustion zone round when embedded (Figure 1).

Circulation of na air flow shall be ensured so that it covers the embedded componentes.

Therefore, air must be supplied to the lower part of the installation site for the correct functioning of the system. (Figure 1).



Note: The gas gas combustion zone round is provided with its own spacers (G) in order to avoid improper installation (obstruction of the air flow required to ventilate the gas combustion zone round ).



## GlammFire

Glammfire, Lda.  
Zona Industrial da Lagoa, Lote G1  
Rua da Suíça, nº213 4950-850  
MONÇÃO - PORTUGAL

Tel(+351) 251 654 800  
Fax(+351) 251 654 801  
info@glammfire.com  
www.glammfire.com

Figure 1: Representation of free space and air circulation.