

CreationPlus



Evolving the perfection of fire.

Technical Data Sheet

Crea7ionEVOPlus Fire Line

Why choosing Crea7ionEVO :

- **Fire Line** - Linear and continuous fire line.
- **Combustion area**—Custom dimensions, from 400mm to 2400mm.
- **Safety** - Equipped with multiple safety sensors .
- **Display** - Provides a better user experience.
- **Language** - Language selection.
- **Remote Control**—Practical and functional.
- **Battery of Lithium**—Does not require electrical installation.
- **Tank** - Capacities: 3,5L, 5L, 7L, 10L, 15L and 20L.
- **Materials**—High-quality materials (Titanium and Stainless Steel). High durability.
- **Installation** -Even more compact dimensions.
- **Automatic filling system**—Automatic filling system, practical and clean.
- **Displaced automatic filling system**—Provides the comfort of an automatic supply distanced from the installation site.
- **Home Automation**—System equipped with the highest technology, with built-in home automation.



Crea7ionEVOPlus Fire Line

Crea7ionEVOPlus security:

- **Levelling Sensor** - The system turns off in case of unevenness or falling.
- **Leakage Sensor**—The system turns off if there is some kind of leak or fuel/liquid spill.
- **Vibration Sensor**- The system turns off in case of accidental shock.
- **Tank door locking system** - The tank door locks while the system is running for user safety.
- **Smothering the combustion fire line**—The system turns off immediately if it is smothered by something.
- **Spillage on the combustion fire line**—The system turns off if it detects an increase of liquids in the combustion line
- **Overheating**—The system turns off if it detects an overheating that can arise from poor ventilation.



Crea7ionEVOPlus Fire Line

Installation

Flammable Materials

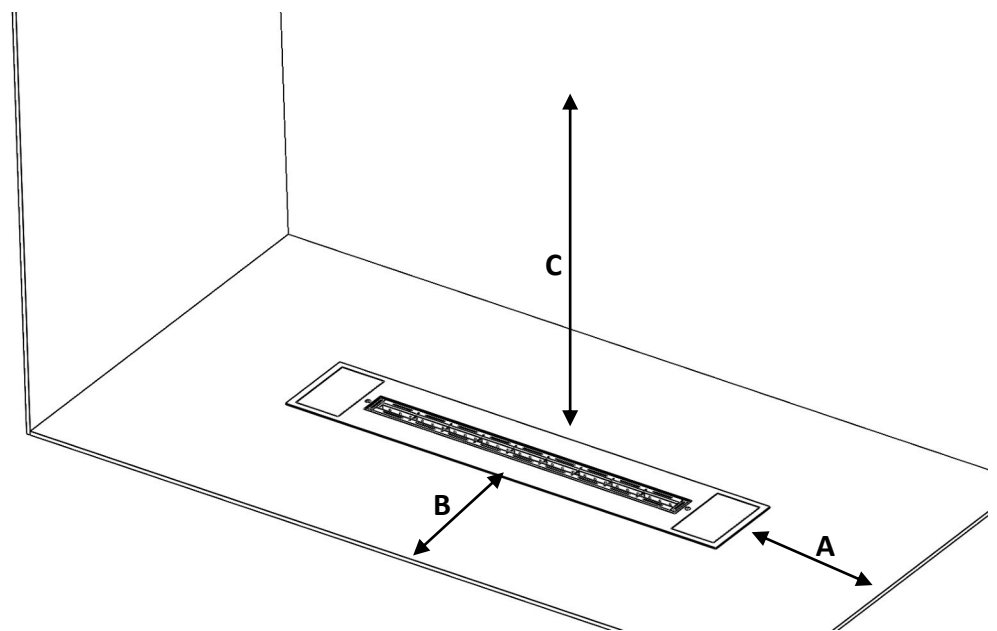
- Do not place flammable materials near the fireplace within 1 m;
- Racks or shelves should be distant 1m from the combustion fire line;

Materials: stone/metal/ceramics

- . A - 100 mm;
- . B - 100 mm;
- . C - 500 mm;

Other non-flammable materials

- . A - 200 mm;
- . B - 250 mm;
- . C - 600 mm;



Crea7ionEVOPlus Fire Line

Finishings

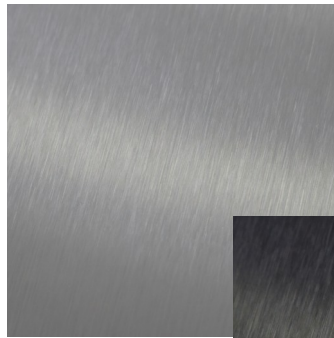
White Lacquered
Stainless Steel



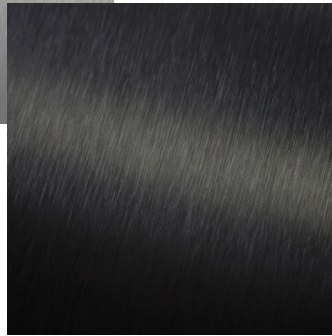
Black Lacquered
Stainless Steel



Brushed Stainless Steel



Black Titanium-coated
Brushed Stainless Steel



Polished Stainless Steel



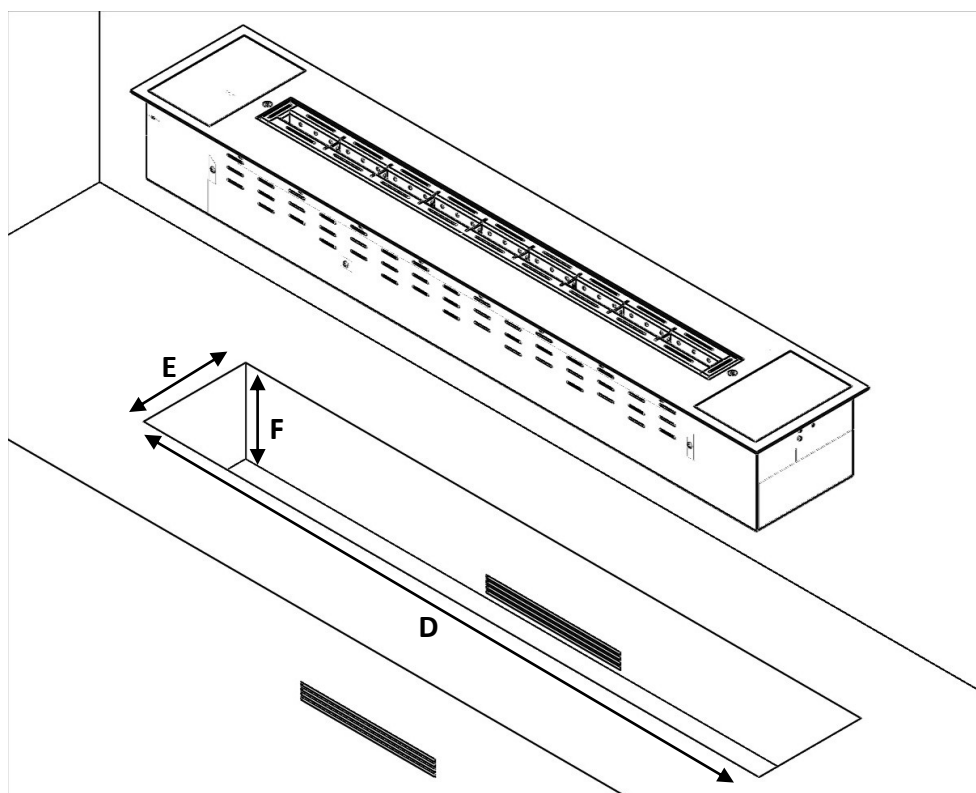
Black Titanium-coated
Polished Stainless Steel
"Mirror"



Crea7ionEVOPlus Fire Line

Necessary dimensions for the built in hole:

Crea7ionEVO-Plus	Length(D)	Width (E)	Height (F)
400	746mm	190mm	>170mm
600	946mm	190mm	>170mm
800	1146mm	190mm	>170mm
1200	1546mm	190mm	>170mm
1600	1946mm	190mm	>170mm
2000	2346mm	190mm	>170mm
2400	2746mm	190mm	>170mm

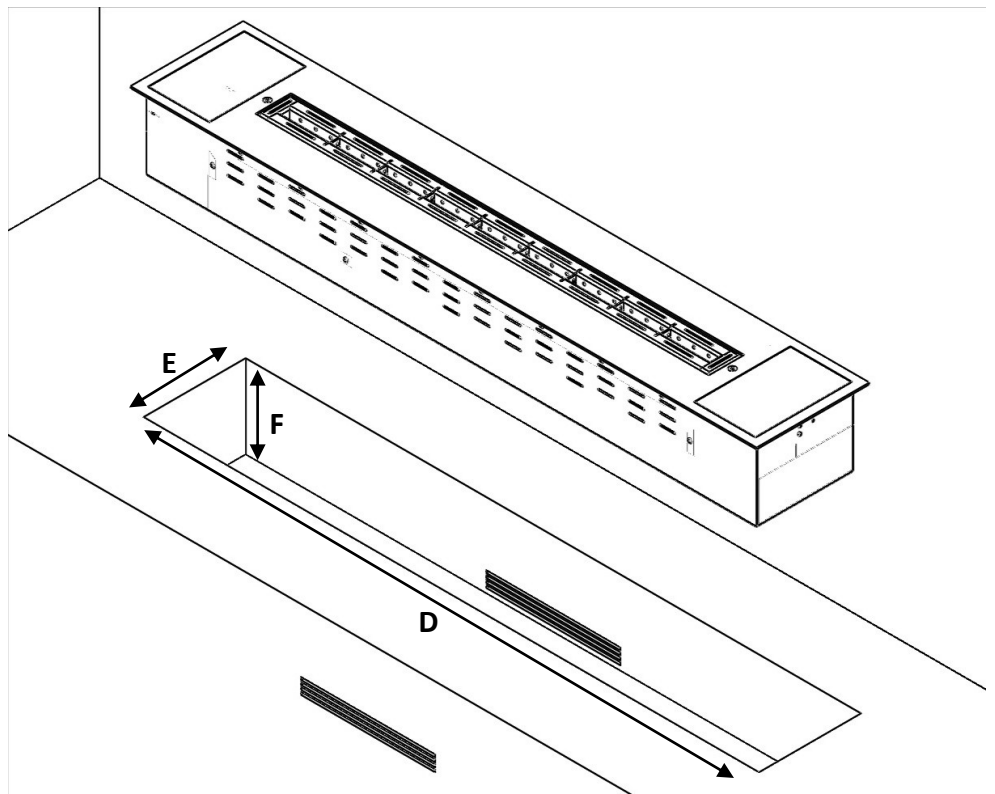


Crea7ionEVOPlus Fire Line

If you want to put the Crea7ionEVO faced on the surface, in which it will be built-in, use the following dimensions:

Note: In this case, the Crea7ionEVO must be based at the bottom.

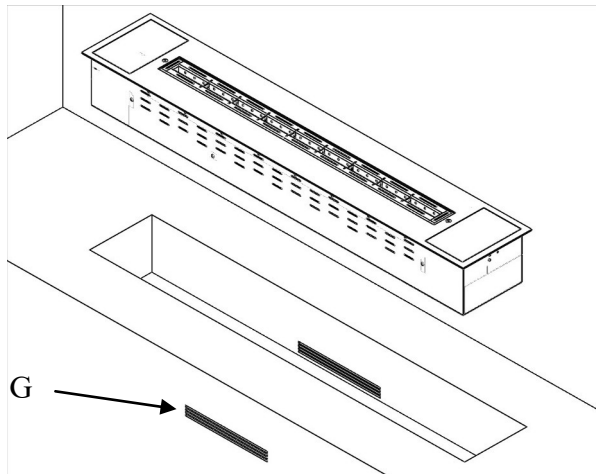
Crea7ionEVO-Plus	Length (D)	Width (E)	Height (F)
400	770mm	214mm	160mm
600	970mm	214mm	160mm
800	1170mm	214mm	160mm
1200	1570mm	214mm	160mm
1600	1970mm	214mm	160mm
2000	2370mm	214mm	160mm
2400	2770mm	214mm	160mm



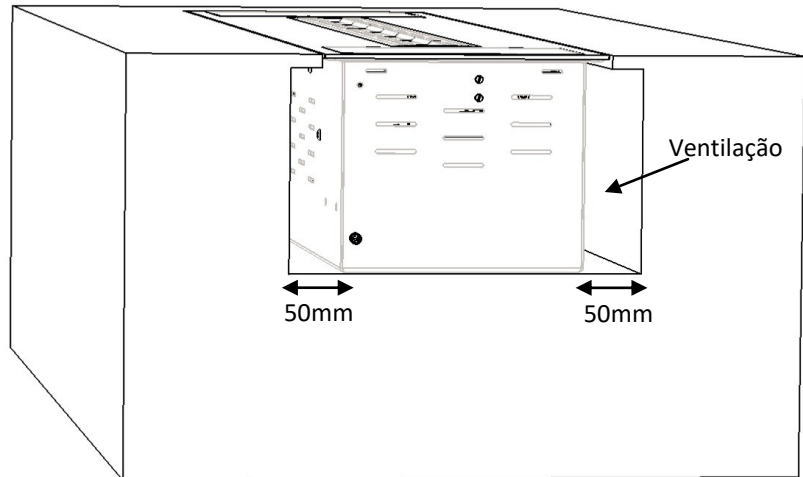
Crea7ionEVOPlus Fire Line

Required ventilation;

Crea7ionEVOPlus	Ventilation Area (G)
400	75cm ²
600	115cm ²
800	150cm ²
1200	225cm ²
1600	300cm ²
2000	375cm ²
2400	450cm ²



Make sure there is always a good ventilation (ca. 50mm) around the Crea7ionEVO, when it is built-in;



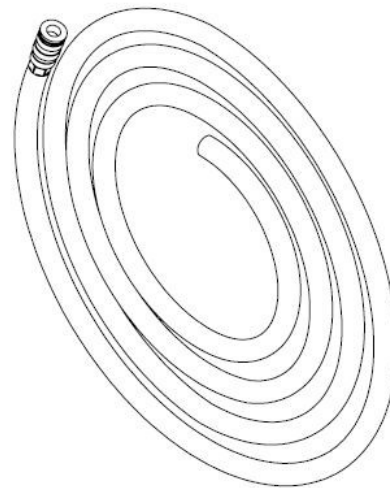
Crea7ionEVOPlus Fire Line

Displaced filling system (Option)

Crea7ionEvoPlus has the local filling system.

This way you can opt for a displaced filling system.

Pipe for displaced filling system



Material provided:

- Pipe 10m, 15m or 20m (hose);
- Stopper for 20 litre tank;
- Set of stoppers for 10 litre tank with silicone tube and stainless steel tip.

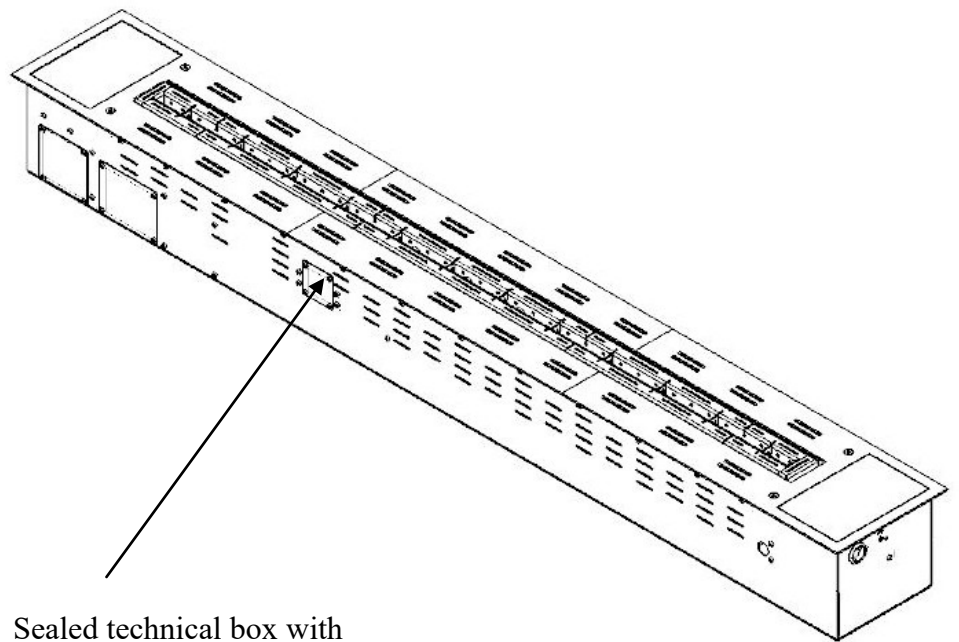
Crea7ionEVOPlus Fire Line

Home Automation (Option)

The Crea7ionEVO PLUS is equipped with a plug intended for the home automation connection (Figure 13) which must be carried out by a qualified technician.

This option allows the burner to be switched on or off through the system installed in the room.

Identification box home automation connection



Sealed technical box with plug for home automation

Crea7ionEVOPlus Fire Line

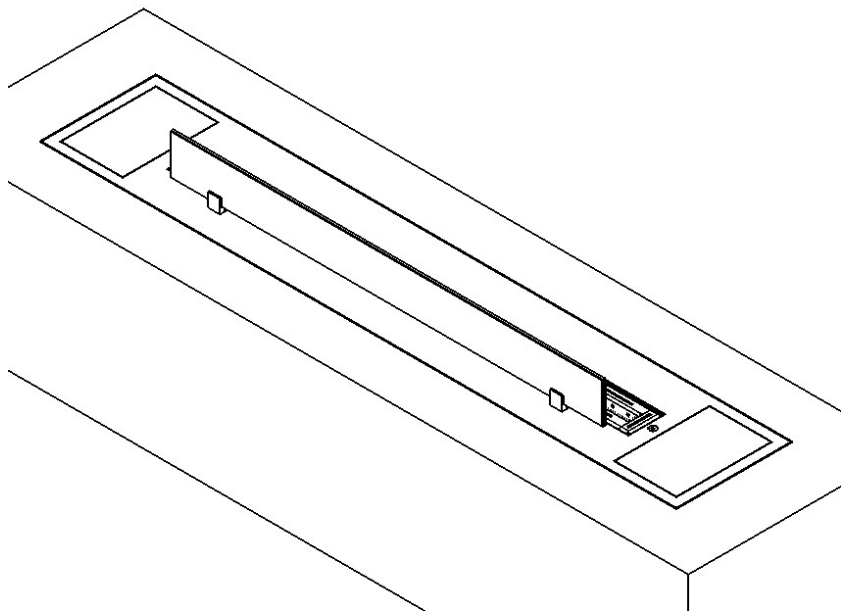
Frontal Glass (Option)

NOTE: This option is only available for burners purchased with the frontal glass option at the time of purchase.

Each Crea7ion EVOPlus burner has one or more assigned glasses as well as two or more glass supports. Refer to the following table for quantities and dimensions.

Crea7ion EVOPlus	Frontal Glass (quantity)	Glass dimension (mm)	Supports (quantity)
400	1	395	2
600	1	595	2
800	1	795	2
1200	1	1195	3
1600	1	1595	3
2000	3	662	4
2400	3	795	4

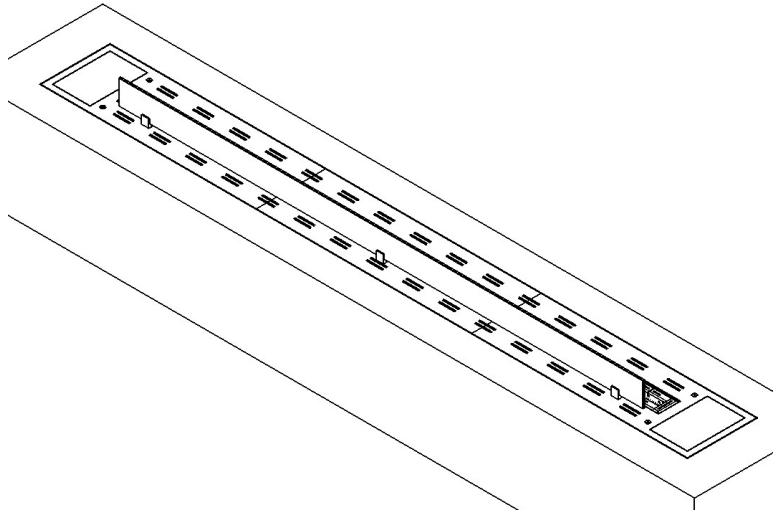
Crea7ion EVOPlus 400 | 600 | 800



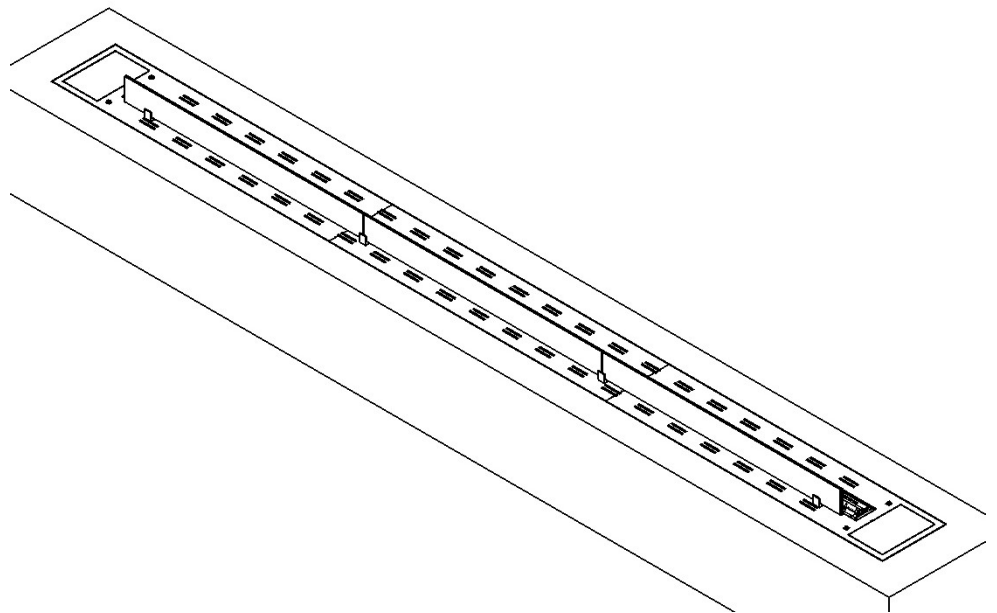
Crea7ionEVOPlus Fire Line

Frontal Glass (Option)

Crea7ion EVOPlus 1200 | 1600



Crea7ion EVOPlus 2000 | 2400



Finishing of the frontal glass supports

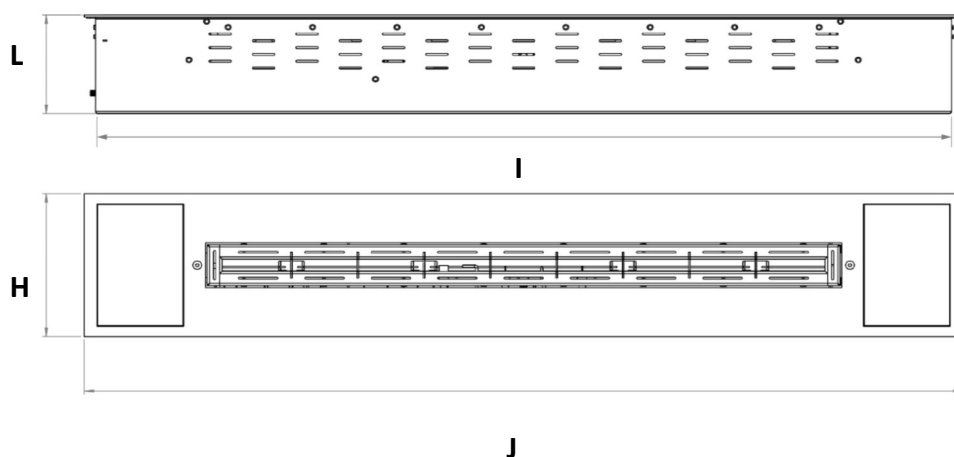
NOTE: On burners with brushed / polished titanium decorative plate, the finishing of the supports is black.

On burners with the brushed / polished stainless steel decorative plate, the finishing of the supports is brushed stainless steel.



Crea7ionEVOPlus Fire Line

Overall dimensions



Specifications

Crea7ion Evo Plus	I (mm)	J (mm)	H (mm)	L (mm)	Power (Kw)	Auto-nomy (Nível máx.) (hours)	Auto-nomy (Nível min.) (hours)	Tank (l)	Weig ht (kg)	Recom- mended minimum area (m2)
400	746	766	210	160	2	7	10	3,5	21	15
600	946	966			3,4	6	8,5	5	22	21
800	1146	1166			4,5	6	8	7	29	29
1200	1546	1566			6,75	6	9,5	10	42	44
1600	1946	1966			9	8	9,5	15	51	59
2000	2346	2366			15	6	7	15	64	96
2400	2746	2766			17	5,5	8	20	73,5	110