

# Crea7ion=Plus

600 lite

Technical Data Sheet

# Crea7ionEVOPlus 600 Lite

Why choosing Crea7ionEVO 600 Lite :

- **Fire Line** - Linear and continuous fire line.
- **Combustion area**—600mm length
- **Safety** - Equipped with multiple safety sensors .
- **Display** - Provides a better user experience.
- **Language** - Language selection.
- **Remote Control**—Practical and functional.
- **Battery of Lithium**—Optional
- **Tank** - Capacity: 5L.
- **Materials**—High-quality materials (Titanium and Stainless Steel). High durability.
- **Installation** -Even more compact dimensions.



## Crea7ionEVOPlus 600 Lite

Crea7ionEVOPlus 600 Lite security:

- **Levelling Sensor** - The system turns off in case of unevenness or falling.
- **Leakage Sensor**—The system turns off if there is some kind of leak or fuel/liquid spill.
- **Vibration Sensor**- The system turns off in case of accidental shock.
- **Tank door locking system** - The tank door locks while the system is running for user safety.
- **Smothering the combustion fire line**—The system turns off immediately if it is smothered by something.
- **Spillage on the combustion fire line**—The system turns off if it detects an increase of liquids in the combustion line
- **Overheating**—The system turns off if it detects an overheating that can arise from poor ventilation.



# Crea7ionEVOPlus 600 Lite

## Installation

### Flammable Materials

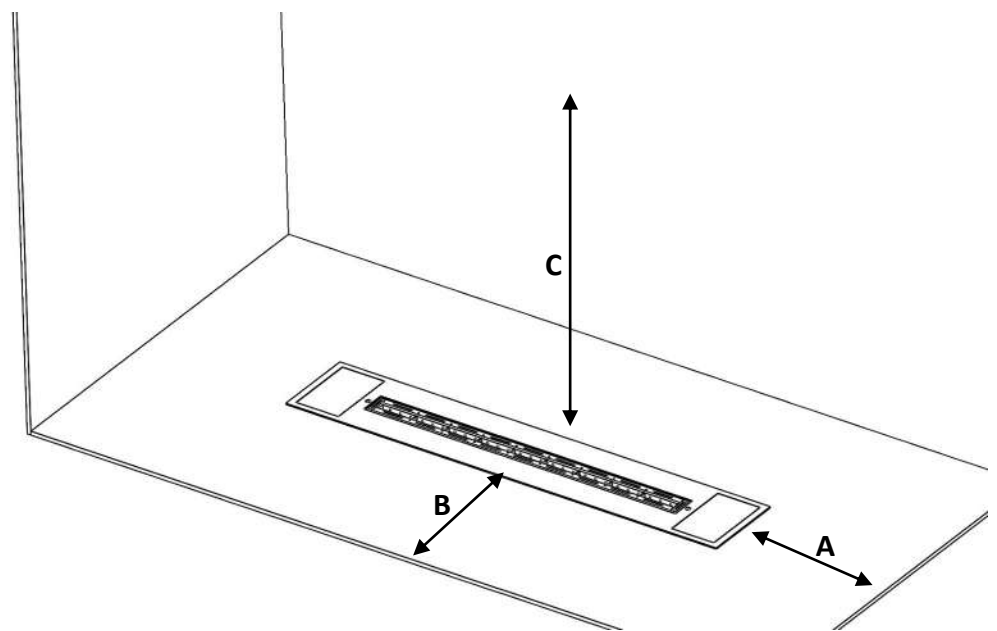
- Do not place flammable materials near the fireplace within 1 m;
- Racks or shelves should be distant 1m from the combustion fire line;

### Materials: stone/metal/ceramics

- . A - 100 mm;
- . B - 100 mm;
- . C - 500 mm;

### Other non-flammable materials

- . A - 200 mm;
- . B - 250 mm;
- . C - 600 mm;



# Crea7ionEVOPlus 600 Lite

## Finishings

### Black lacquered steel



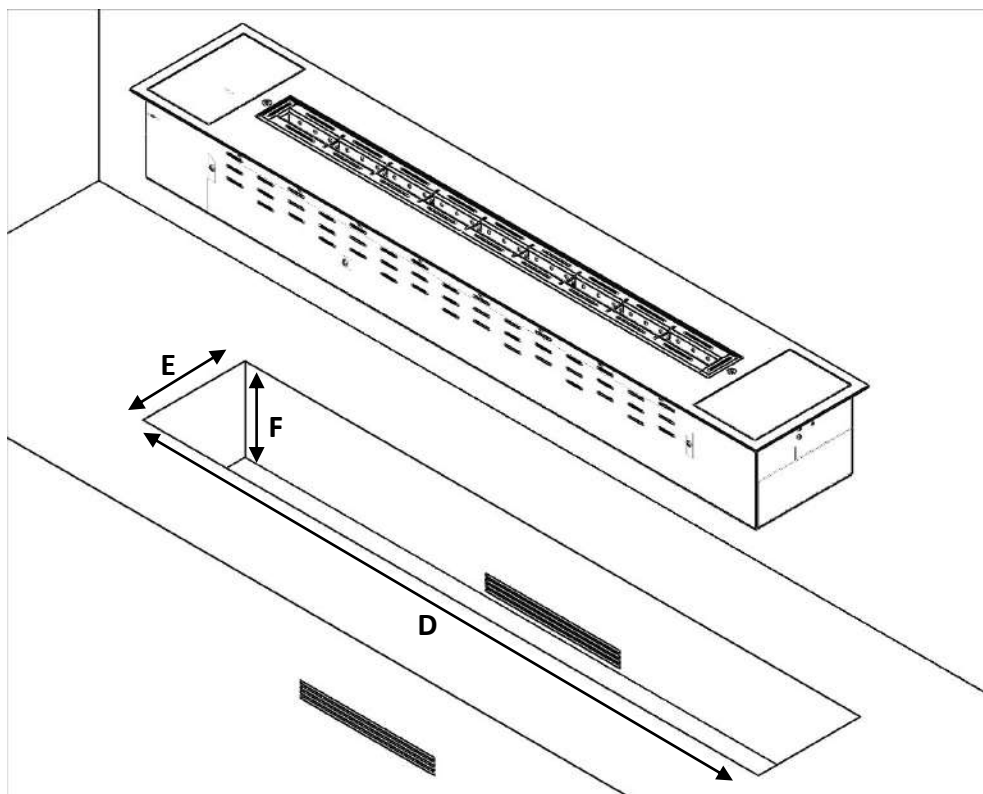
### Brushed Stainless Steel



# Crea7ionEVOPlus 600 Lite

Necessary dimensions for the built in hole:

Crea7ionEVO-Plus	Length(D)	Width (E)	Height (F)
600 Lite	946mm	190mm	>170mm

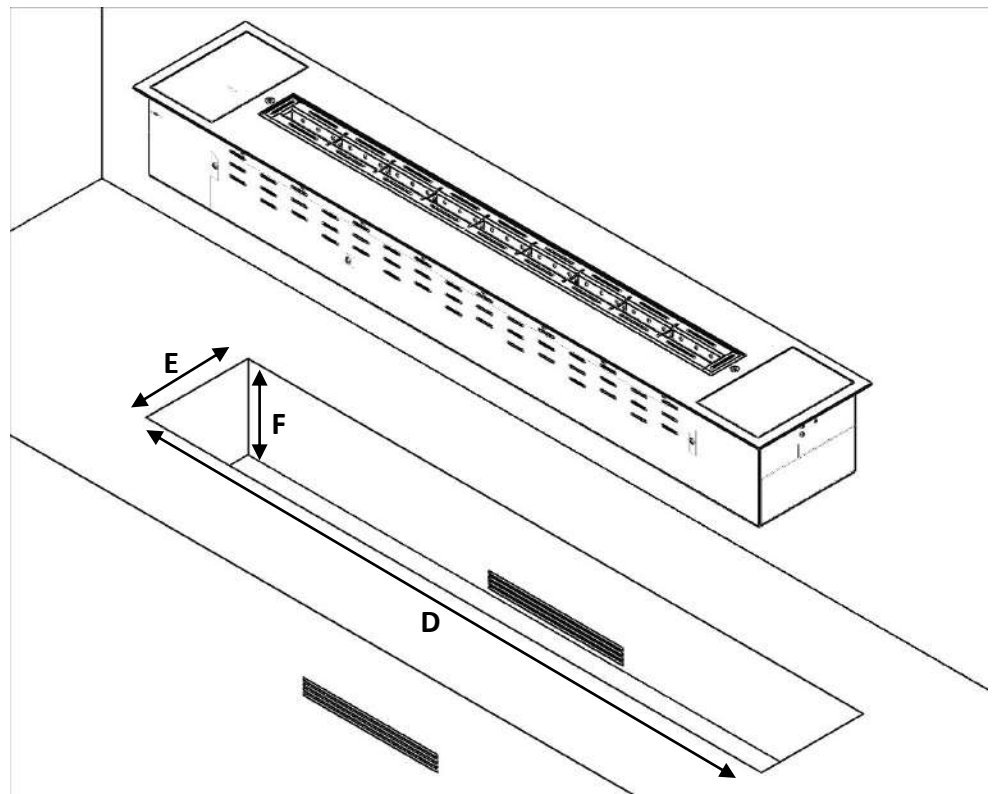


# Crea7ionEVOPlus 600 Lite

If you want to put the Crea7ionEVO 600 Lite faced on the surface, in which it will be built-in, use the following dimensions:

Note: In this case, the Crea7ionEVO 600 Lite must be based at the bottom.

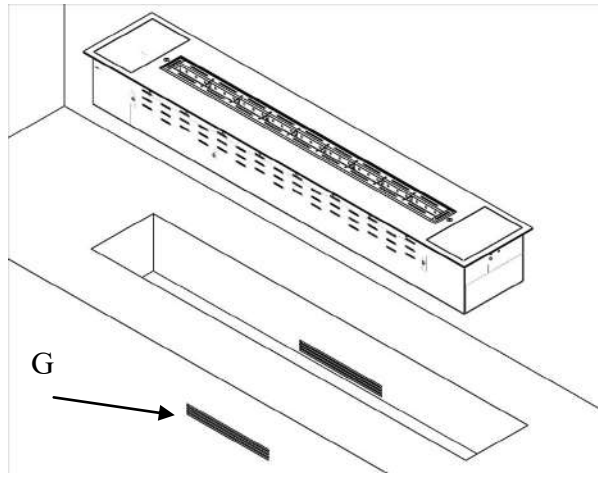
Crea7ionEVO-Plus	Length (D)	Width (E)	Height (F)
600 Lite	970mm	214mm	160mm



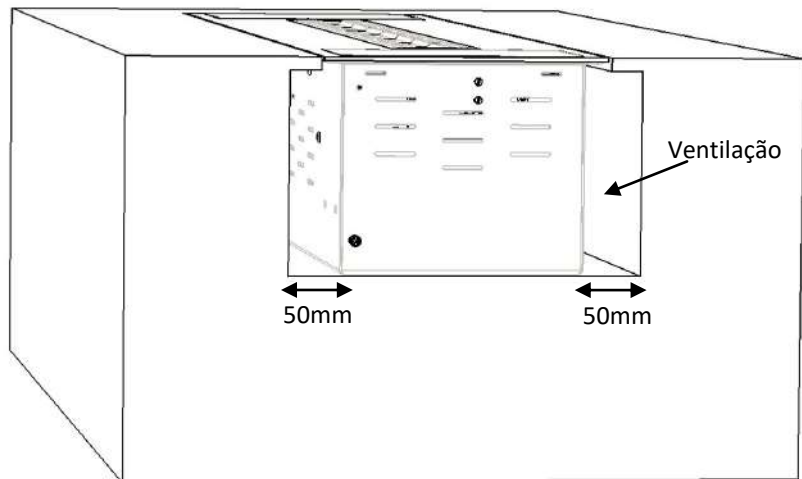
# Crea7ionEVOPlus 600 Lite

Required ventilation;

Crea7ionEVOPlus	Ventilation Area (G)
600 Lite	115cm <sup>2</sup>



Make sure there is always a good ventilation (ca. 50mm) around the Crea7ionEVO 600 Lite, when it is built-in;





# Crea7ionEVOPlus 600 Lite

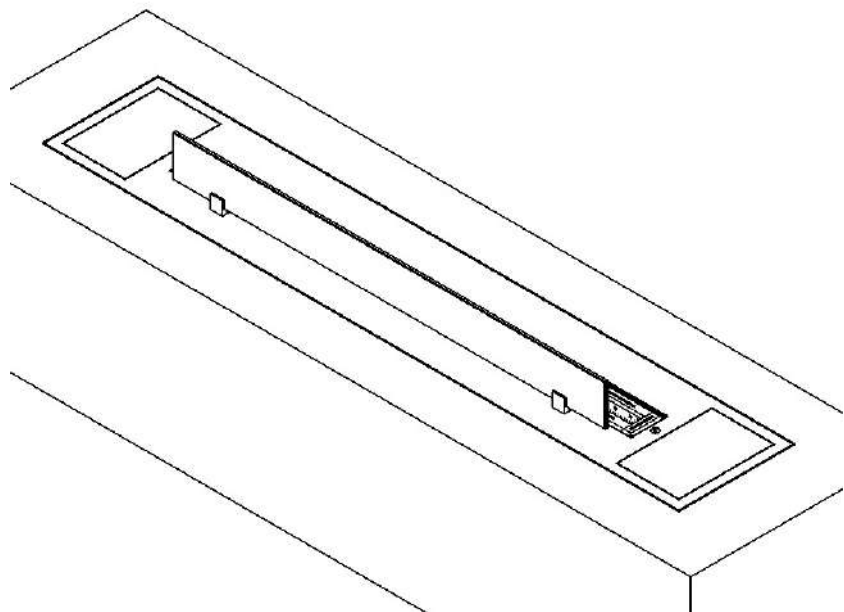
## Frontal Glass (Option)

NOTE: This option is only available for burners purchased with the frontal glass option at the time of purchase.

The burner Crea7ionEvoPlus 600 Lite has a glass as well as two supports.

Crea7ion EVOPlus	Frontal Glass (quantity)	Glass dimension (mm)	Supports (quantity)
600 Lite	1	623	2

Crea7ion EVOPlus 600 Lite



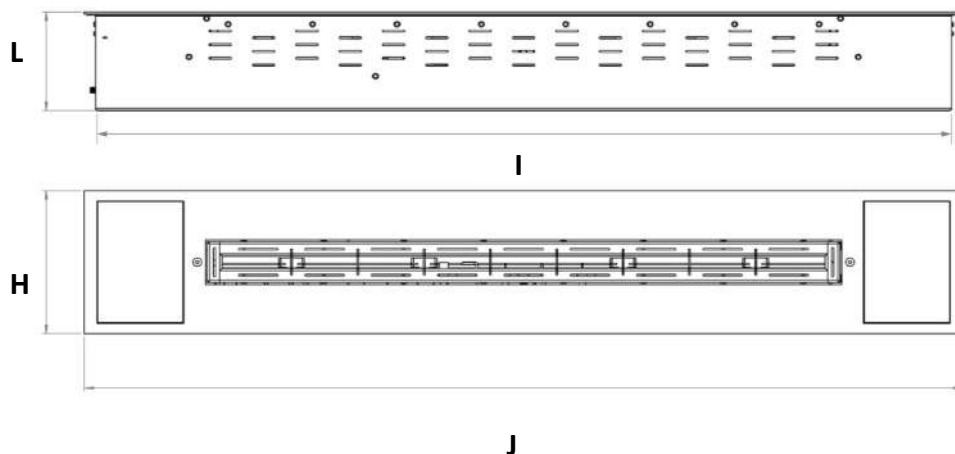
## Finishing of the frontal glass supports

NOTE: On burners with black lacquered decorative plate, the finishing of the supports is black.

On burners with the brushed stainless steel decorative plate, the finishing of the supports is brushed stainless steel.

# Crea7ionEVOPlus 600 Lite

## Overall dimensions



## Specifications

Crea7ionEVO PLUS	I (mm)	J (mm)	H (mm)	L (mm)	Power (Kw)	Autonomy (level máx.)(hours)	Autonomy (level min.)(hours)	Tank (l)	Weight (kg)	Recommended minimum area (m2)
600 Lite	946	966	210	160	3,4	6	8,5	5	22	21