

GlammFire

GlammBox 1150 DF



Inspired by the framework of multiple geometric lines the “Muble 1150 DF” present themselves as compact models with simple design. The structural essence, developed from a combination of stainless and lacquered steel is their main feature, allowing a variety of environments, both formal and informal.

Material// Lacquered steel
Stainless Steel

Finishings// Black lacquered stainless steel
Brushed stainless steel - optional

Dimensions// Exterior W1310 x D348 x H748 mm
Interior W1150 x D315 x H600 mm
Exterior W51.6 x D13.7 x H29.4”
Interior W45.3 x D12.4 x H23.6”

Weight// 74 kg | 163.1 lbs

Accessories// Frame “U” - optional
Frame “L” - optional

Protection// Tempered glass

Burner V// 10 litres (liquid bioethanol)

Power// 8,50 kW

Burning time// Position min. 3 litres/ 8,5h
Position med. 3 litres/ 6,5h
Position max. 3 litres/ 5h

GlammFire

Glammfire, Lda.
Zona Industrial da Lagoa, Lote G1
Rua da Suiça, nº213
4950-850 CORTES - MONÇÃO
PORTUGAL

Tel(+351) 251 654 800
Fax(+351) 251 654 801
info@glammfire.com
www.glammfire.com

glamm
fire

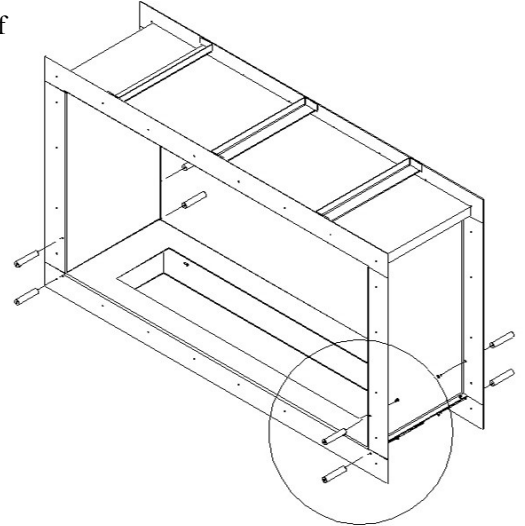
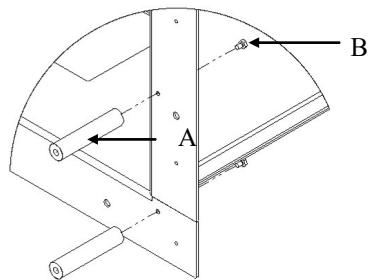
GlamFire

GlamBox 1150 DF

Assembly / Disassembly of Glass Supports

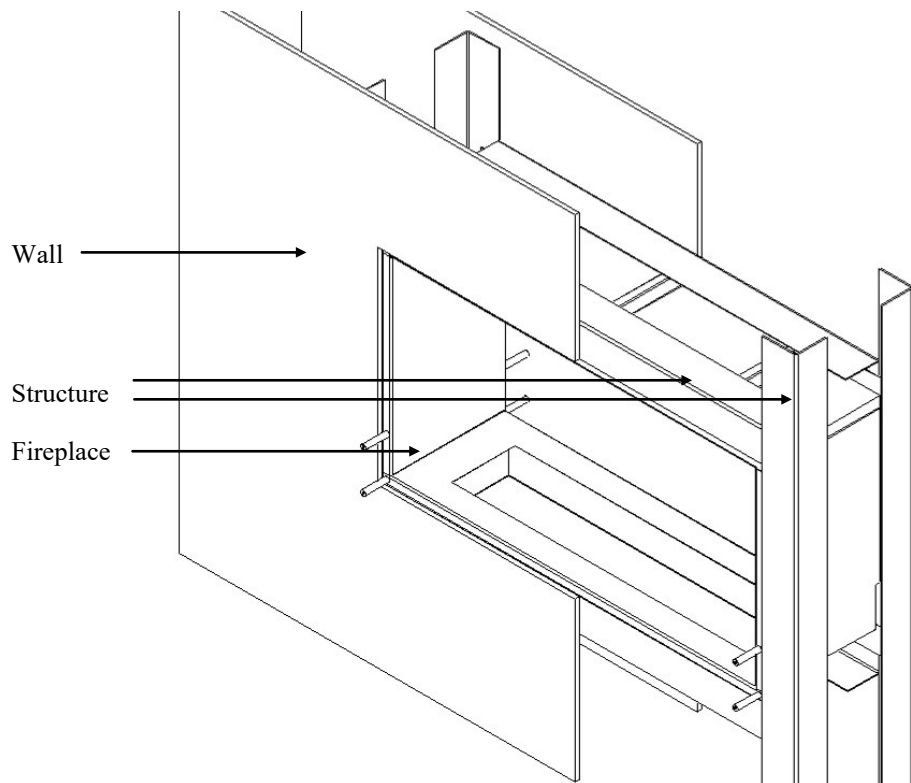
Important: Before starting the assembly of your fireplace do not forget to put the Glass Support Base on first.

Screw B in A



Installation Procedures

Your fireplace must be bolted to a structure previously built in order to make it stable and safe.



GlamFire

Glamfire, Lda.
Zona Industrial da Lagoa, Lote G1
Rua da Suíça, nº213
4950-850 CORTES - MONÇÃO
PORTUGAL

Tel(+351) 251 654 800
Fax(+351) 251 654 801
info@glamfire.com
www.glamfire.com

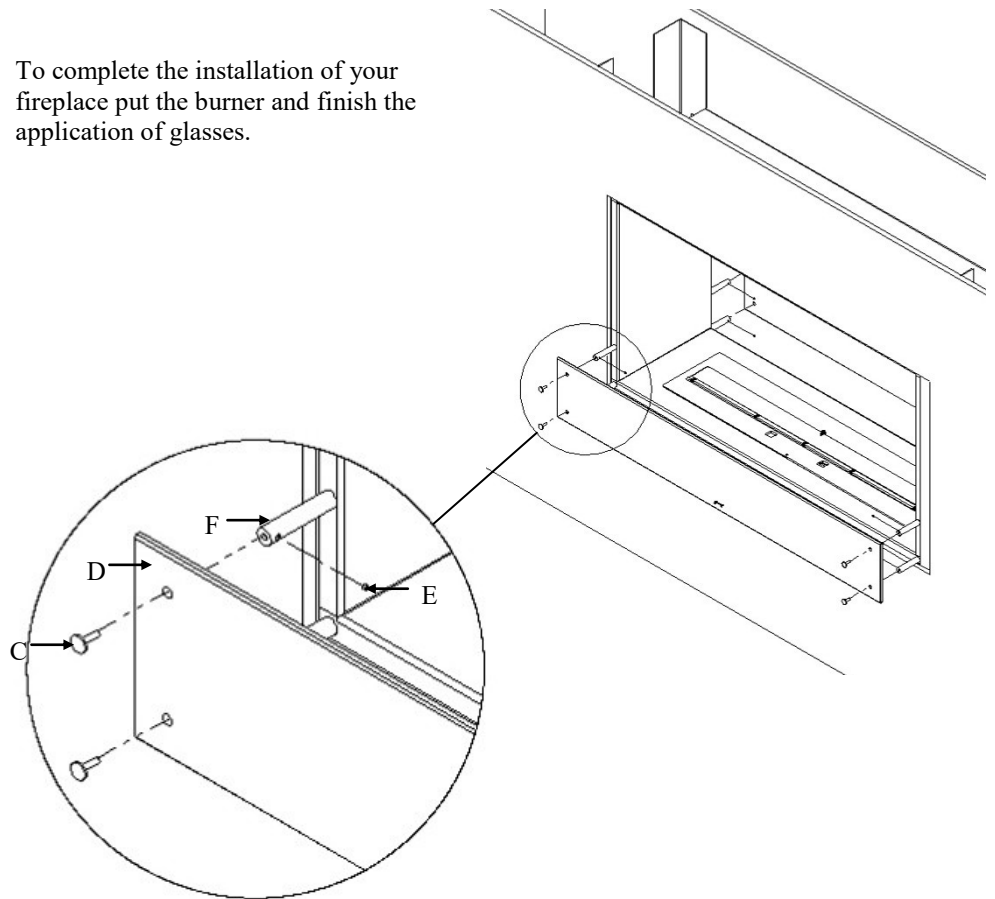
Take care not to install your fireplace near flammable materials.

glam
fire

GlammFire

GlammBox 1150 DF

To complete the installation of your fireplace put the burner and finish the application of glasses.



Place C in F and screw E in order to fix glass D.

GlammFire

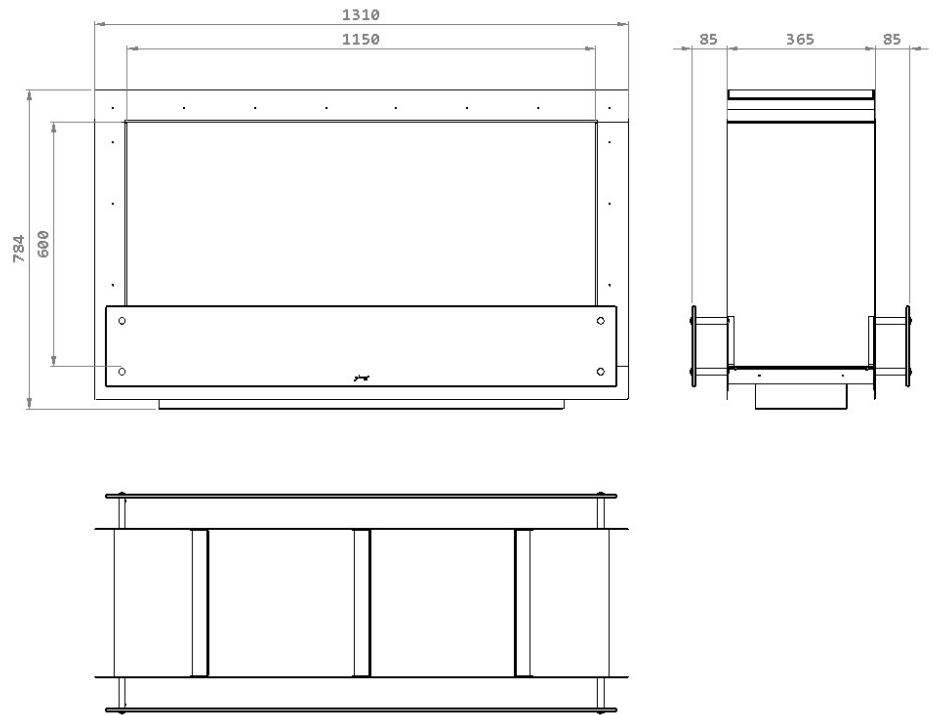
Glammfire, Lda.
Zona Industrial da Lagoa, Lote G1
Rua da Suíça, nº213
4950-850 CORTES - MONÇÃO
PORTUGAL

Tel(+351) 251 654 800
Fax(+351) 251 654 801
info@glammfire.com
www.glammfire.com

glamm
fire

GlammFire

GlammBox 1150 DF



GlammFire

Glammfire, Lda.
Zona Industrial da Lagoa, Lote G1
Rua da Suíça, nº213
4950-850 CORTES - MONÇÃO
PORTUGAL

Tel(+351) 251 654 800
Fax(+351) 251 654 801
info@glammfire.com
www.glammfire.com

PT03868-C

glamm
fire