

GlammFire

GlammBox 450 DF



With simple design and compact dimensions, “GlammBox 450 DF” model is pure expression of versatility. Details such as its lines, resistance of structure and quality of materials stress the personality of this model, which offer endless possibilities in terms of installation and use. The strong connection between details and proportional balance, makes it great piece for heating and decoration of professional projects.

Do not abdicate the sophistication of your interiors, further enhance the liveability of your spaces.

Material// Lacquered steel
Stainless Steel

Finishings// Black lacquered stainless steel
Brushed stainless steel - optional

Dimensions// Exterior W570 x D365 x H1024 mm
Interior W450 x D365 x H860 mm
Exterior W22.4 x D14.4 x H40.3”
Interior W17.7 x D14.4 x H33.9”

Weight// 38 kg | 83,8 lbs

Accessories// Frame “U” - optional
Frame “L” - optional

Protection// Tempered glass

Burner II// 2 litres (liquid bioethanol)

Power// 3,40 kW

Burning time// Position min. 2 litres/ 8h
Position med. 2 litres/ 6h
Position max. 2 litres/ 4h

GlammFire

Glammfire, Lda.
Zona Industrial da Lagoa, Lote G1
Rua da Suíça, nº213
4950-850 CORTES - MONÇÃO
PORTUGAL

Tel(+351) 251 654 800
Fax(+351) 251 654 801
info@glammfire.com
www.glammfire.com

glamm
fire

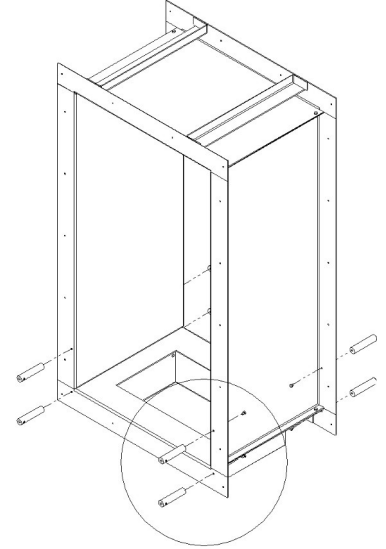
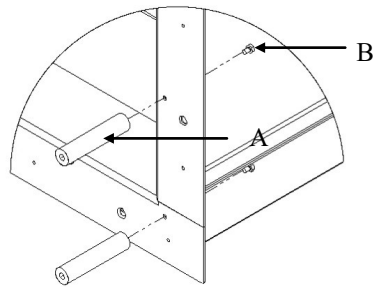
GlammFire

GlammBox 450 DF

Assembly / Disassembly of Glass Supports

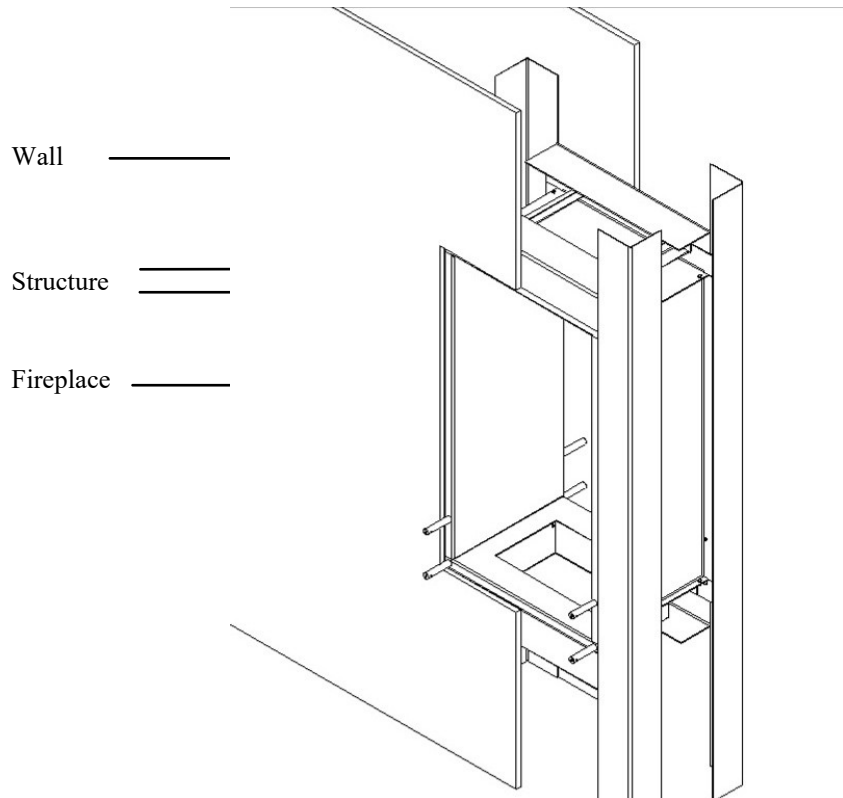
Important: Before starting the assembly of your fireplace do not forget to put the Glass Support Base on first.

Screw B in A



Installation Procedures

Your fireplace must be bolted to a structure previously built in order to make it stable and safe.



GlammFire

Glammfire, Lda.
Zona Industrial da Lagoa, Lote G1
Rua da Suiça, nº213
4950-850 CORTES - MONÇÃO
PORTUGAL

Tel(+351) 251 654 800
Fax(+351) 251 654 801
info@glammfire.com
www.glammfire.com

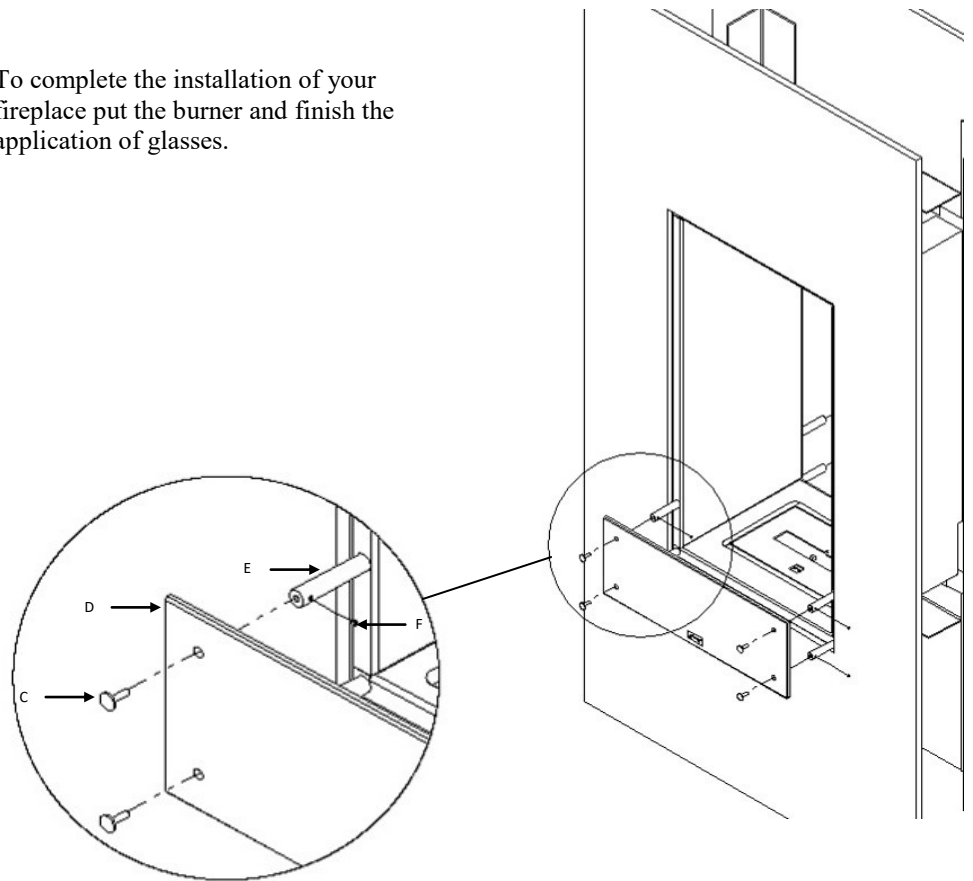
Take care not to install your fireplace near flammable materials.

glamm
fire

GlammFire

GlammBox 450 DF

To complete the installation of your fireplace put the burner and finish the application of glasses.



Place C in E and screw F in order to fix glass D

GlammFire

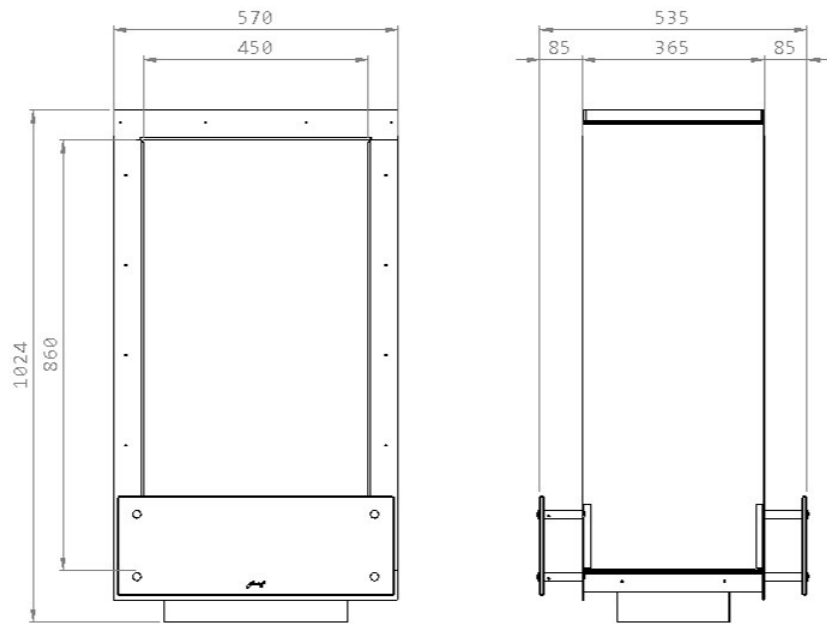
Glammfire, Lda.
Zona Industrial da Lagoa, Lote G1
Rua da Suíça, nº213
4950-850 CORTES - MONÇÃO
PORTUGAL

Tel(+351) 251 654 800
Fax(+351) 251 654 801
info@glammfire.com
www.glammfire.com

glamm
fire

GlammFire

GlammBox 450 DF



GlammFire

Glammfire, Lda.
Zona Industrial da Lagoa, Lote G1
Rua da Suíça, nº213
4950-850 CORTES - MONÇÃO
PORTUGAL

Tel(+351) 251 654 800
Fax(+351) 251 654 801
info@glammfire.com
www.glammfire.com

PT03859-C

glamm
fire