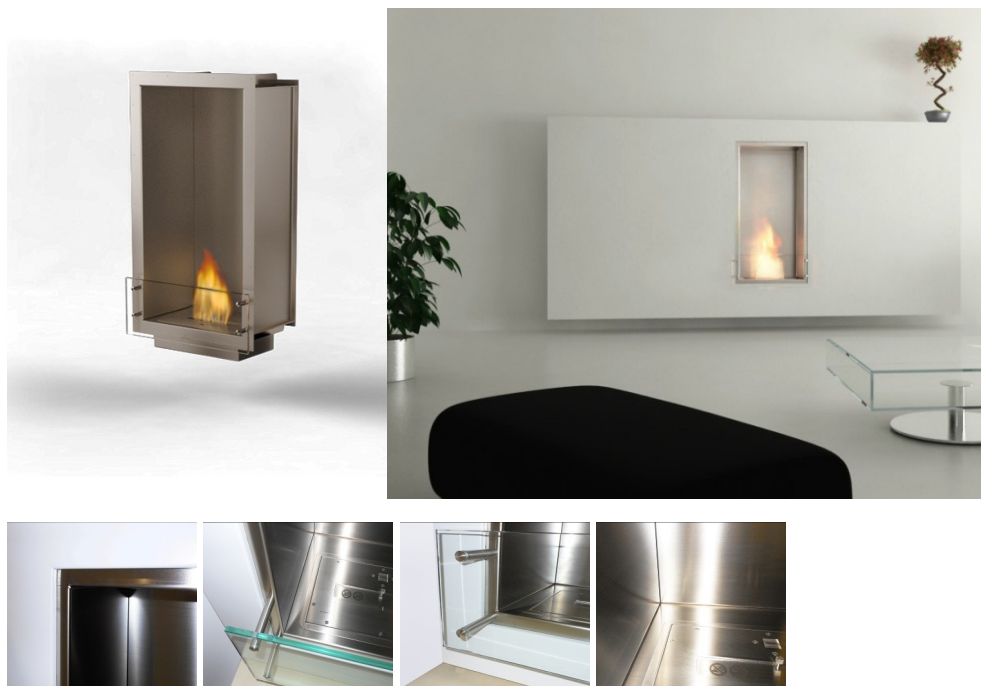


GlammFire

# GlammBox 450



With simple design and compact dimensions, “GlammBox 450” model is pure expression of versatility. Details such as its lines, resistance of structure and quality of materials stress the personality of this model, which offer endless possibilities in terms of installation and use. The strong connection between details and proportional balance, makes it great piece for heating and decoration of professional projects.

Do not abdicate the sophistication of your interiors, further enhance the liveability of your spaces.

**Materials//** Stainless steel

Lacquered steel

**Finishings//** Black lacquered stainless steel

Brushed stainless steel - optional

**Dimensions//** Exterior W570 x D348 x H1024 mm

Interior W450 x D315 x H860 mm

Exterior W22.4 x D13.7 x H41”

Interior “17.7 x D12.4 x H33.9”

**Weight//** 39 kg | 86 lbs

**Accessories//** Frame “U” - optional

Frame “L” - optional

**Protection//** Tempered glass

**Burner II//** 2 litres (liquid bioethanol)

**Power//** 3,40 kW

**Burning time//** Position min. 2 litres/ 8h

Position med. 2 litres/ 6h

Position max. 2 litres/ 4h

## GlammFire

Glammfire, Lda.  
Zona Industrial da Lagoa, Lote G1  
Rua da Suíça, nº213  
4950-850 CORTES - MONÇÃO  
PORTUGAL

Tel(+351) 251 654 800  
Fax(+351) 251 654 801  
info@glammfire.com  
www.glammfire.com

*glamm*  
fire

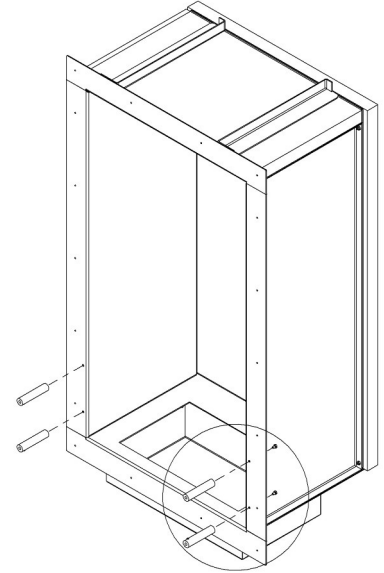
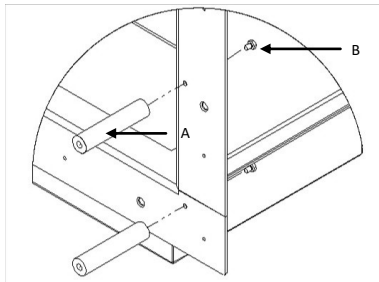
GlammFire

# GlammBox 450

## Assembly / Disassembly of Glass Supports

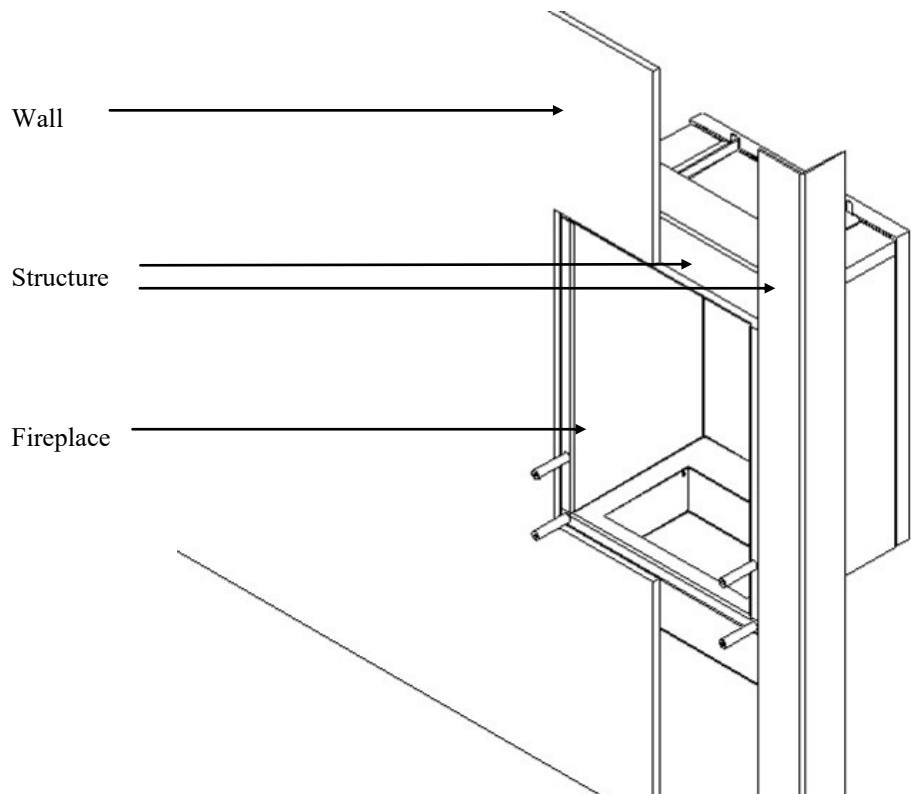
Important: Before starting the assembly of your fireplace do not forget to put the Glass Support Base on first.

### Screw B in A



## Installation Procedures

Your fireplace must be bolted to a structure previously built in order to make it stable and safe.



## GlammFire

Glammfire, Lda.  
Zona Industrial da Lagoa, Lote G1  
Rua da Suíça, nº213  
4950-850 CORTES - MONÇÃO  
PORTUGAL

Tel(+351) 251 654 800  
Fax(+351) 251 654 801  
info@glammfire.com  
www.glammfire.com

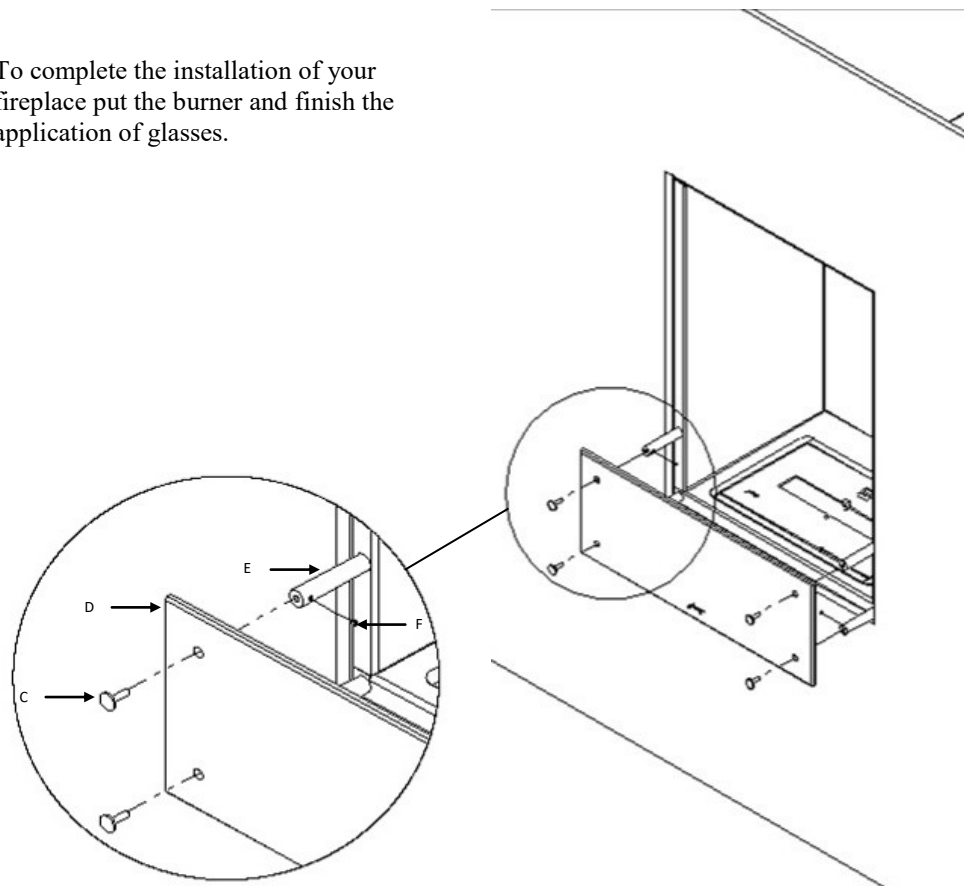
Take care not to install your fireplace near flammable materials.

*glamm*  
fire

GlammFire

# GlammBox 450

To complete the installation of your fireplace put the burner and finish the application of glasses.



Place C in E and screw F in order to fix glass D

## GlammFire

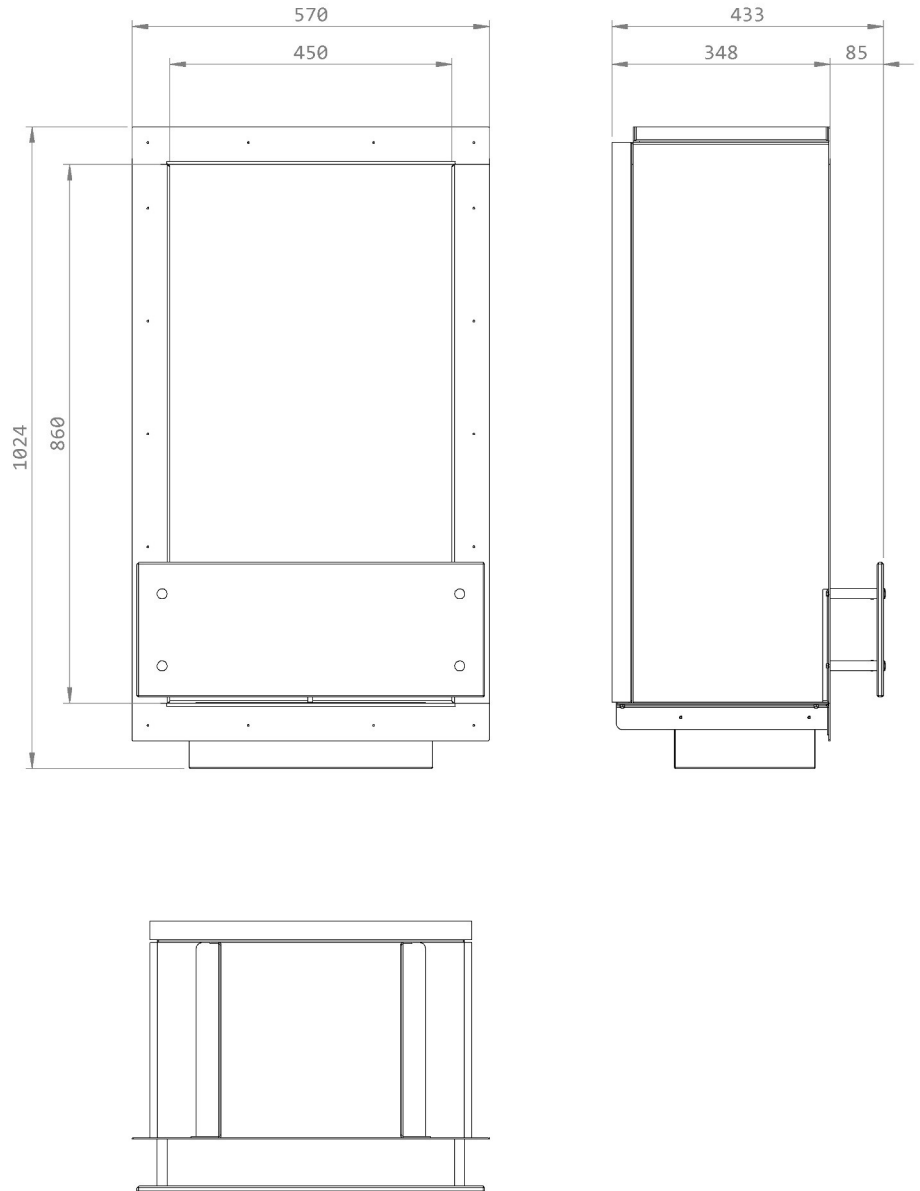
Glammfire, Lda.  
Zona Industrial da Lagoa, Lote G1  
Rua da Suíça, nº213  
4950-850 CORTES - MONÇÃO  
PORTUGAL

Tel(+351) 251 654 800  
Fax(+351) 251 654 801  
info@glammfire.com  
www.glammfire.com

*glamm*  
fire

GlammFire

# GlammBox 450



## GlammFire

Glammfire, Lda.  
Zona Industrial da Lagoa, Lote G1  
Rua da Suíça, nº213  
4950-850 CORTES - MONÇÃO  
PORTUGAL

Tel(+351) 251 654 800  
Fax(+351) 251 654 801  
info@glammfire.com  
www.glammfire.com

PT03858-C

*glamm*  
fire