

GLAMMBOX CONCEPT



Technical Data Sheet

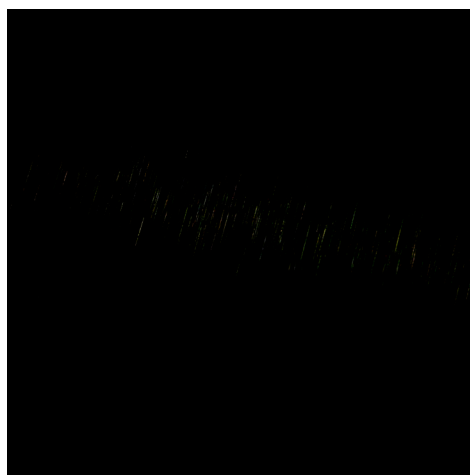
GlammBox Concept Room Divider, 3 Faces, Corner R/L

GlammFire

GlammBox Concept

Finishings

Black laquered steel



Stainless steel



GlammFire

Recuperadores Pachinha Lda.
Zona Industrial da Lagoa, Lote G1
Rua da Suíça, nº213
4950-850 CORTES - MONÇÃO
PORTUGAL

Tel(+351) 251 654 800
Fax(+351) 251 654 801

glamm
fire

GlammBox Concept

Installation

Flammable materials

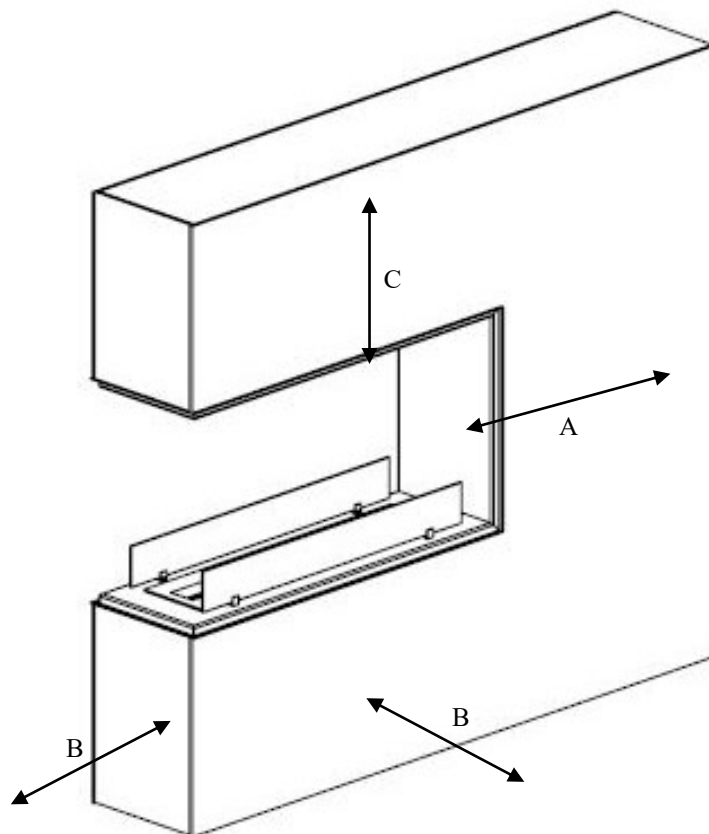
- Do not place flammable materials near the fireplace, within 1m;
- Racks or shelves should be distant 1m from the combustion fire line;

Materials: stone/metal/ceramics

- A - 100 mm;
- B - 100 mm;
- C - 500 mm;

Other non-flammable materials

- A - 200 mm;
- B - 250 mm;
- C - 600 mm;



GlammFire

Recuperadores Pachinha Lda.
Zona Industrial da Lagoa, Lote G1
Rua da Suíça, nº213
4950-850 CORTES - MONÇÃO
PORTUGAL

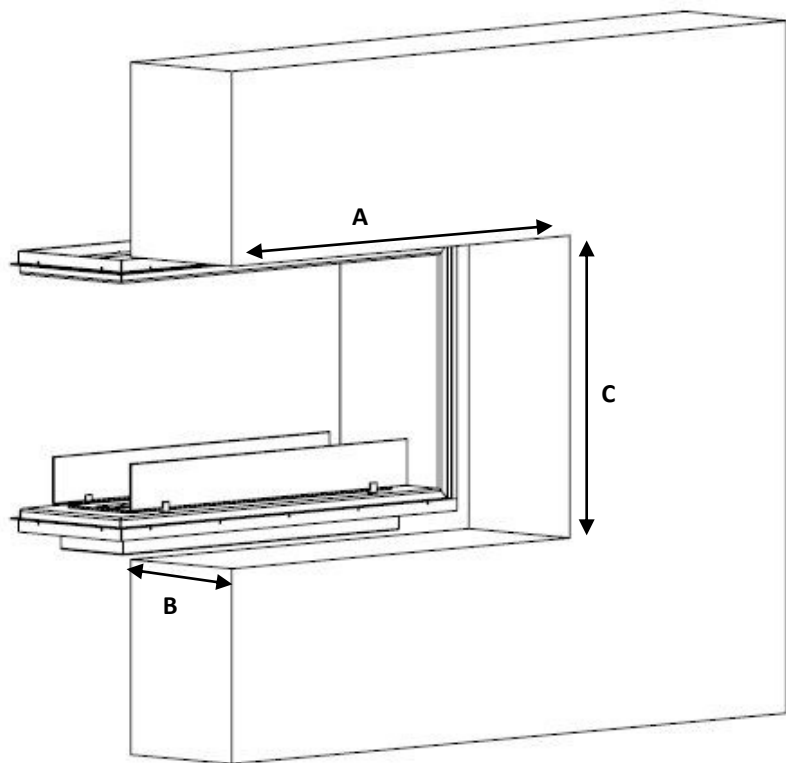
Tel(+351) 251 654 800
Fax(+351) 251 654 801

GlammFire

GlammBox Concept Room Divider

Necessary dimensions for the built-in hole of Glammbox Room Divider

GB Concept Room Divider	Length (A)	Width (B)	Height (C)
770	840mm	365mm	775mm
1150	1220mm	365mm	775mm



GlammFire

Recuperadores Pachinha Lda.
Zona Industrial da Lagoa, Lote G1
Rua da Suíça, nº213
4950-850 CORTES - MONÇÃO
PORTUGAL

Tel(+351) 251 654 800
Fax(+351) 251 654 801

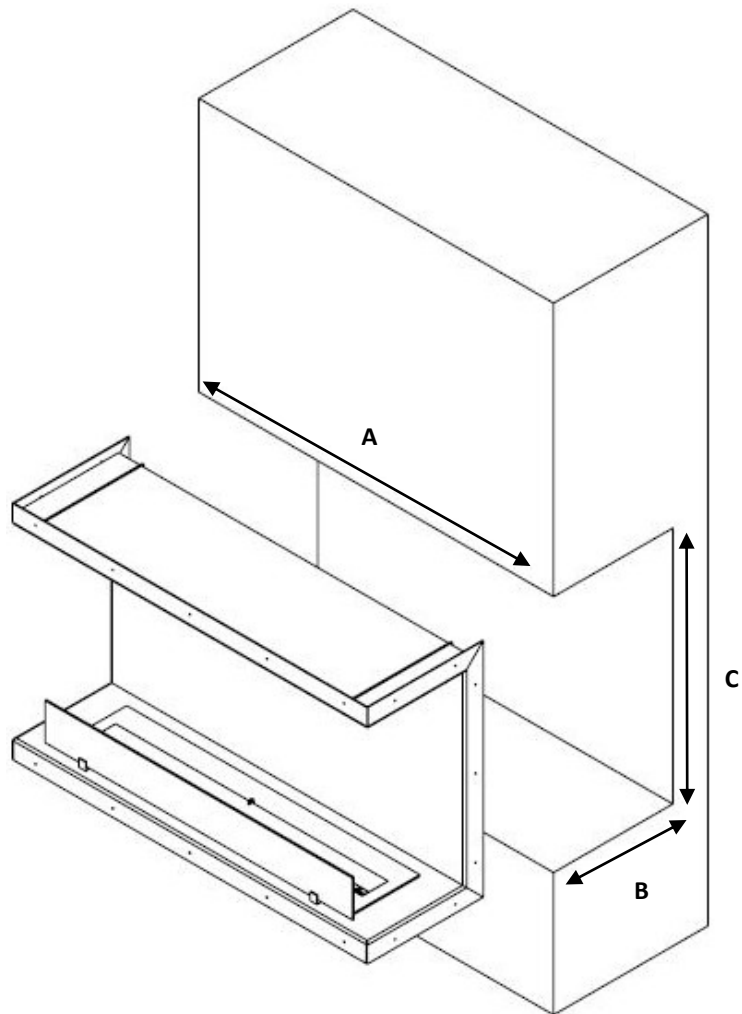
glamm
fire

GlammFire

GlammBox Concept 3 Faces

Necessary dimensions for the built-in hole of Glammbox 3 Faces.

GB Concept 3 Faces	Lenght(A)	Width (B)	Height (C)
770	770mm	386mm	775mm
1150	1150mm	386mm	775mm
2150	2150mm	386mm	775mm



GlammFire

Recuperadores Pachinha Lda.
Zona Industrial da Lagoa, Lote G1
Rua da Suíça, nº213
4950-850 CORTES - MONÇÃO
PORTUGAL

Tel(+351) 251 654 800
Fax(+351) 251 654 801

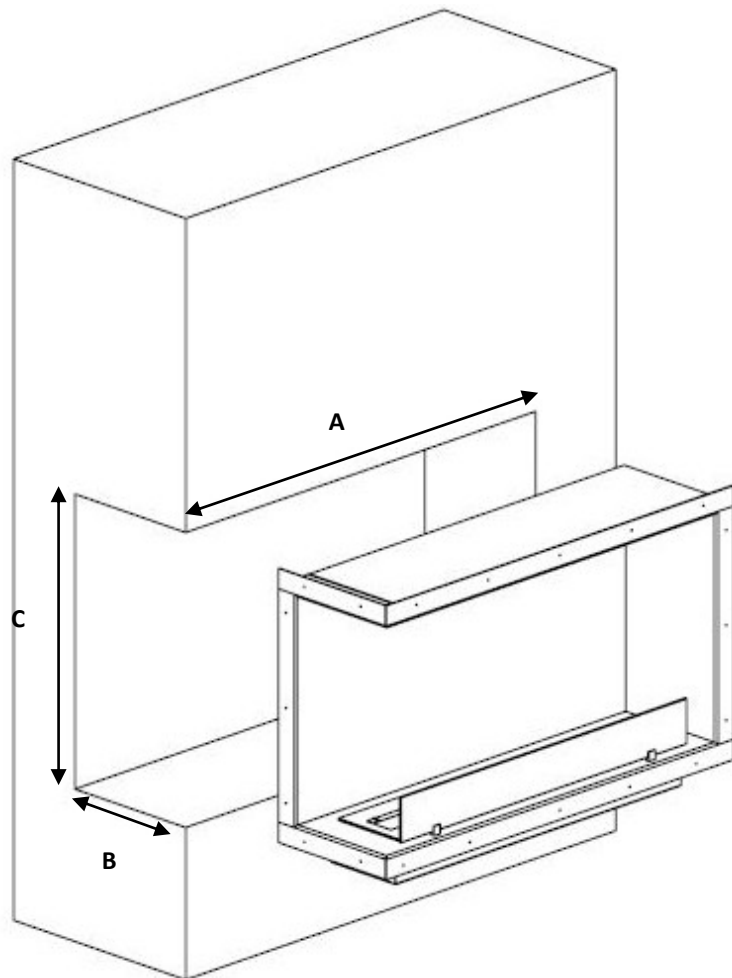
glamm
fire

GlammFire

GlammBox Concept Corner R/L

Necessary dimensions for the built-in hole of Glammbox Corner R/L.

GB Concept Corner R/L	Length (A)	Width (B)	Height (C)
770	840mm	386mm	775mm
1150	1220mm	386mm	775mm
2150	2220mm	386mm	775mm



GlammFire

Recuperadores Pachinha Lda.
Zona Industrial da Lagoa, Lote G1
Rua da Suíça, nº213
4950-850 CORTES - MONÇÃO
PORTUGAL

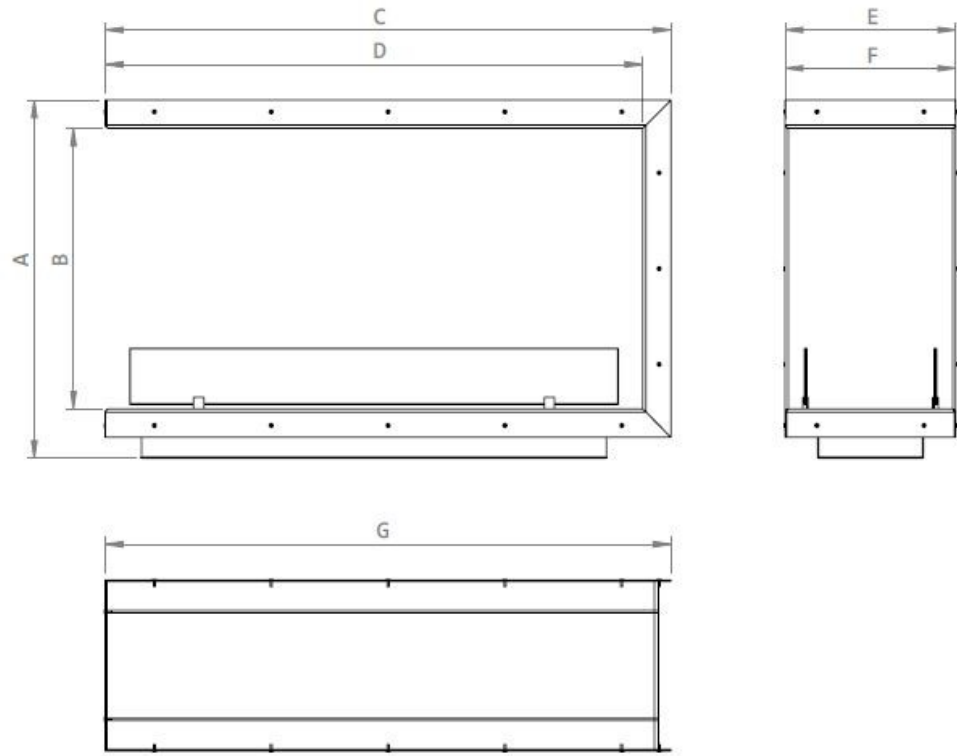
Tel(+351) 251 654 800
Fax(+351) 251 654 801

glamm
fire

GlammFire

GlammBox Concept Room Divider

Overall Dimensions



Room Divider	A *	B *	C *	D *	E *	F *	G *
770	765	600	830	770	365	365	830
1150	765	600	1210	1150	365	365	1210

Specifications

GlammBox Concept	Burner	Capacity (liters)	Power (kW)	Autonomy (hours)	Area — Heating (m ²)
770	Burner III	3	4,5	8:30	28
1150	Burner V	10	8,5	8:30	52

GlammFire

Recuperadores Pachinha Lda.
Zona Industrial da Lagoa, Lote G1
Rua da Suíça, nº213
4950-850 CORTES - MONÇÃO
PORTUGAL

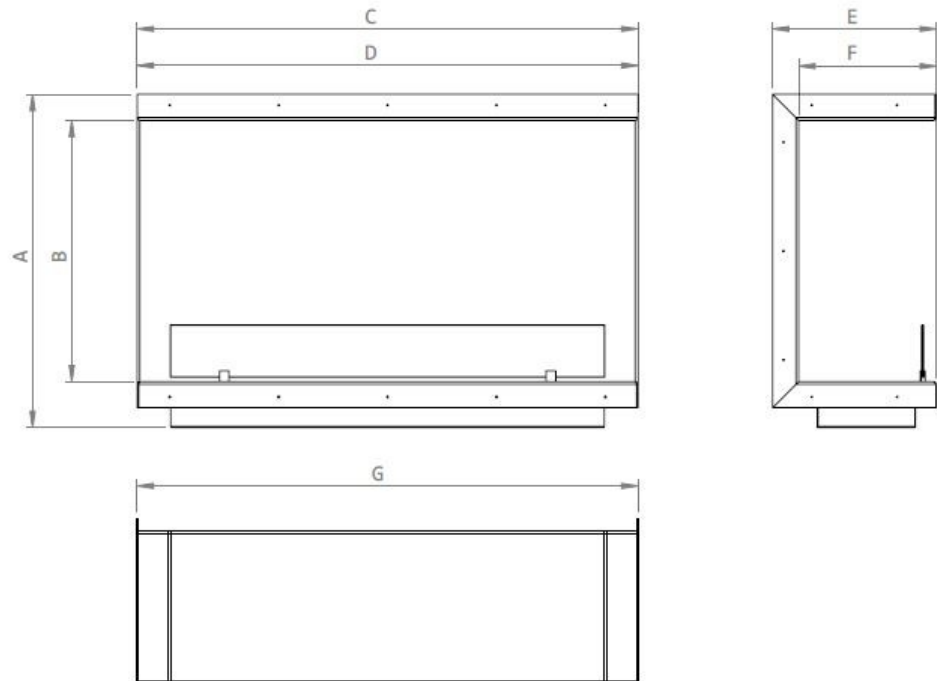
Tel(+351) 251 654 800
Fax(+351) 251 654 801

glamm
fire

GlammFire

GlammBox Concept 3 Faces

Overall Dimensions



3 Faces	A *	B *	C *	D *	E *	F *	G *
770	765	600	770	770	376	316	770
1150	765	600	1150	1150	376	316	1150
2150	765	600	2150	2150	376	316	2150

Specifications

GlammBox Concept	Burner	Capacity (liters)	Power (kW)	Autonomy (hours)	Area — Heating (m ²)
770	Burner III	3	4,5	8:30	28
1150	Burner V	10	8,5	8:30	52
2150	2 X Burner V	20	17	8:30	106

GlammFire

Recuperadores Pachinha Lda.
Zona Industrial da Lagoa, Lote G1
Rua da Suíça, n°213
4950-850 CORTES - MONÇÃO
PORTUGAL

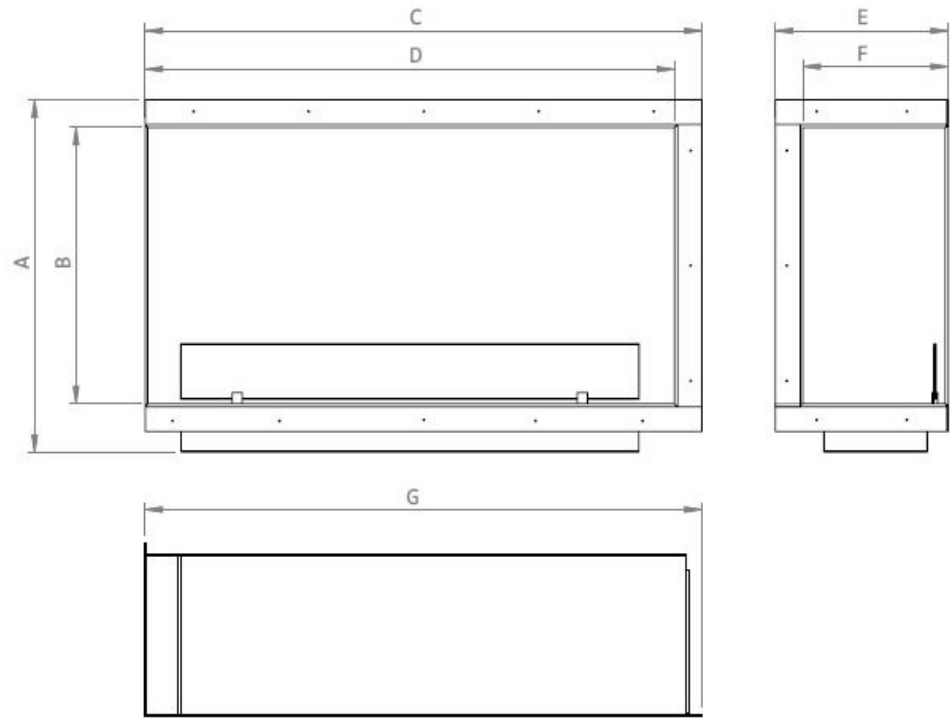
Tel(+351) 251 654 800
Fax(+351) 251 654 801

glamm
fire

GlammFire

GlammBox Concept Corner R/L

Overall Dimensions



Corner R/L	A *	B *	C *	D *	E *	F *	G *
770	765	600	830	770	376	316	830
1150	765	600	1210	1150	376	316	1210
2150	765	600	2210	2150	376	316	2210

Specifications

GlammBox Concept	Burner	Capacity (liters)	Power (kW)	Auto-nomy (hours)	Area — Heating (m ²)
770	Burner III	3	4,5	8:30	28
1150	Burner V	10	8,5	8:30	52
2150	2 X Burner V	20	17	8:30	106

GlammFire

Recuperadores Pachinha Lda.
Zona Industrial da Lagoa, Lote G1
Rua da Suíça, n°213
4950-850 CORTES - MONÇÃO
PORTUGAL

Tel(+351) 251 654 800
Fax(+351) 251 654 801

PT14673-A

glamm
fire