

GlammFire

Kit Glamm 3D Plus 250

Electric



Assuming themselves as true protagonists in terms of decor, Kits Glamm 3D are conspicuous by their great versatility and ability to create a pleasant interior atmosphere. Owing to the use of 3D technology they provide also an incredible sense of visual comfort and aesthetic balance.

The beauty of the spaces lies in the details.

GlammFire

Glammfire, Lda.
Zona Industrial da Lagoa, Lote G1
4950-850 CORTES - MONÇÃO
PORTUGAL

Tel(+351) 251 654 800
Fax(+351) 251 654 801
info@glammfire.com
www.glammfire.com

glamm[®]
fire

GlammFire

Kit Glamm 3D Plus 250



Technical characteristics

Materials

Black lacquered steel

Capacity

0.65 liters (decalcified water)

Autonomy

4-5 hours

Voltage

220/240 V

Frequency

50 Hz

Consumption

60Wh– 0,60kWh

GlammFire

Glammfire, Lda.
Zona Industrial da Lagoa, Lote G1
4950-850 CORTES - MONÇÃO
PORTUGAL

Tel(+351) 251 654 800
Fax(+351) 251 654 801
info@glammfire.com
www.glammfire.com

glamm[®]
fire

Kit Glamm 3D Plus 250

Installation

This product can be built into a wall, surround or structure. Please take note of the product dimensions in Fig.1 and

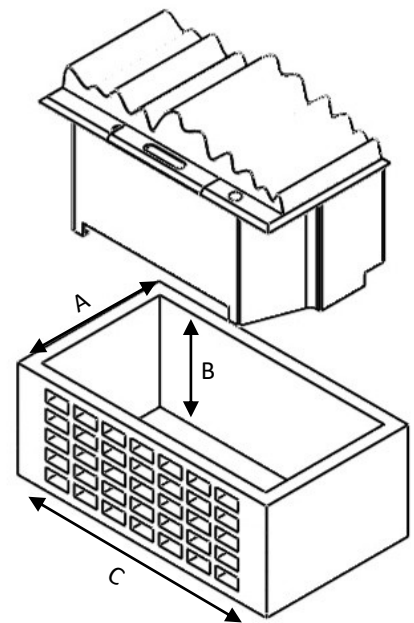
build your wall, surround or structure accordingly. You are required to leave a minimum of 400mm from the base of the fuelbed to any shelf/enclosure above the pro-duct. This will allow enough space above the product to allow the flames to form fully and not to be obstructed.

This product needs free ventilation from underneath to operate correctly. The free ventilation helps keep the electronic components cool, allow the mist to evacuate the sump and lift out of the product effortlessly.

KIT GLAMM 3D PLUS 250 VENTILATION AREA — MINIMUM OF 200CM².

Installation dimensions

Note: It's important to have an opening on at least one of the sides for ventilation.



GlammFire

Glammfire, Lda.
Zona Industrial da Lagoa, Lote G1
4950-850 CORTES - MONÇÃO
PORTUGAL

Tel(+351) 251 654 800
Fax(+351) 251 654 801
info@glammfire.com
www.glammfire.com

Model	A	B	C
Kit Glamm 3D Plus 250	330 mm	100 mm	330 mm

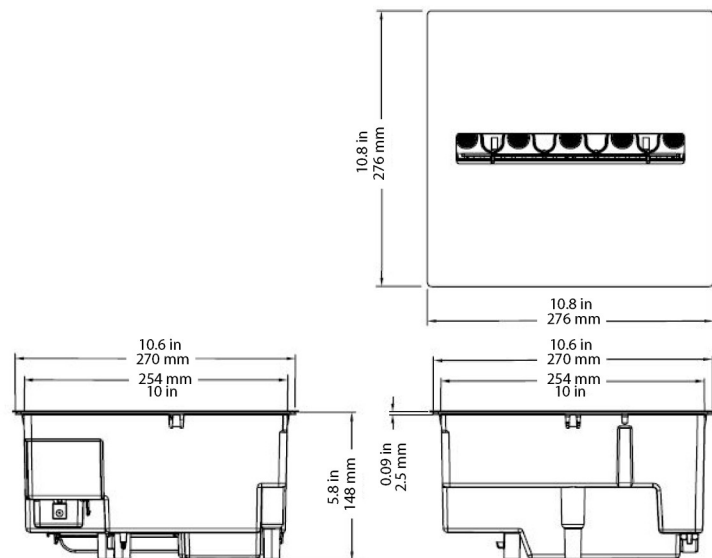
Kit Glamm 3D Plus 250

Built-in

The Kit Glamm 3D Plus 250 are designed to be built into a surround/wall. Using the dimensions provided next page, build a cavity for the appliance. Be sure to allow room under and around the appliance for the water connection and the electrical connection. Once the surround/wall is prepared you can put the appliance in place. Fit the appliance to ensure that it is centred. When you have settled on a position, lift off the fuelbed and using appropriate screws for the surround/wall, screw through the formed holes in the left and right side panels securing the appliance in place.

General dimensions

KIT Glamm 3D Plus 250



GlammFire

Glammfire, Lda.
Zona Industrial da Lagoa, Lote G1
4950-850 CORTES - MONÇÃO
PORTUGAL

Tel(+351) 251 654 800
Fax(+351) 251 654 801
info@glammfire.com
www.glammfire.com

Model	Width	Height	Depth	Weight
Kit Glamm 3D Plus 250	276 mm	148 mm	276 mm	2.8 kg

PT13321-C

glamm
fire