

GlamFire

## Kit Glamm H3D 800

# Electric

Materials//

Kit Glamm 3D// Lacquered steel black.



A new way to "feel" the ambiance of fireplaces.

Featuring the most advanced and innovative 3D eco-friendly technology the new 3D Electric Fireplaces ensure a simple and safe use by applying an efficient operability of a water vapour release system.

The inner works of the 3D combines the latest technologies such as LEDS embedded in the decorative wood and a water vapour generator to simulate smoke. Added to a set of energy saving halogen bulbs, the system constantly regulates the intensity of the lights to the emission of the water vapour and delivers an amazing virtual flame that looks and feels remarkably realistic at any distance, a realistic aspect of real wood fireplace.

Dimensions// 823 h x 490 l x 255 p mm

Weight// 18 kg

Accessories//Remote control

Capacity of tank// 1,1 liter ( filtered water)

Autonomy// 8 hours

Voltage// 230 V

Frequency// 50 Hz

Supply Cord// Schuko CEE (pag. 7)

Flame effect// Adjustable

Heating// 2000 W

Lamps// 4 x 50W Xenon Amber

### GlamFire

Glamfire, Lda.  
Zona Industrial da Lagoa, Lote G1  
Rua da Suiça, nº213  
4950-850 MONÇÃO  
PORTUGAL

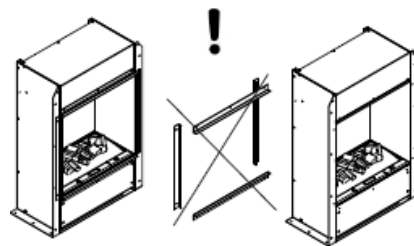
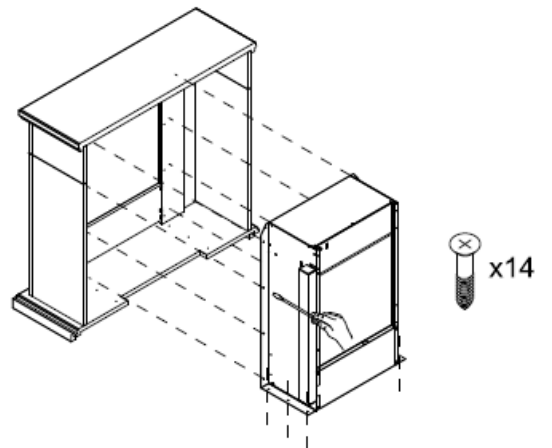
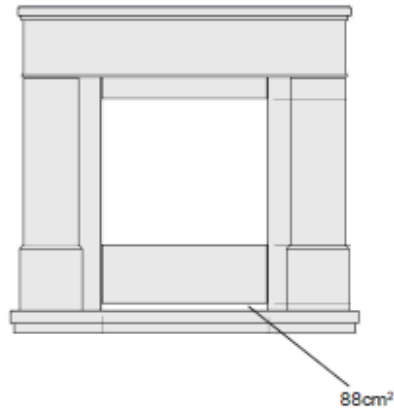
Tel(+351) 251 654 800  
Fax(+351) 251 654 801  
info@glammfire.com  
www.glammfire.com

*glamm*  
fire

GlamFire

# Kit Glamm H3D 800

Installation schemes

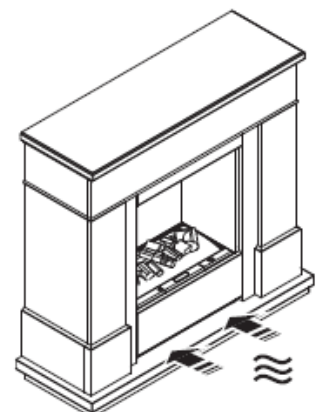


GlamFire

Glamfire, Lda.  
Zona Industrial da Lagoa, Lote G1  
Rua da Suíça, nº213  
4950-850 MONÇÃO  
PORTUGAL

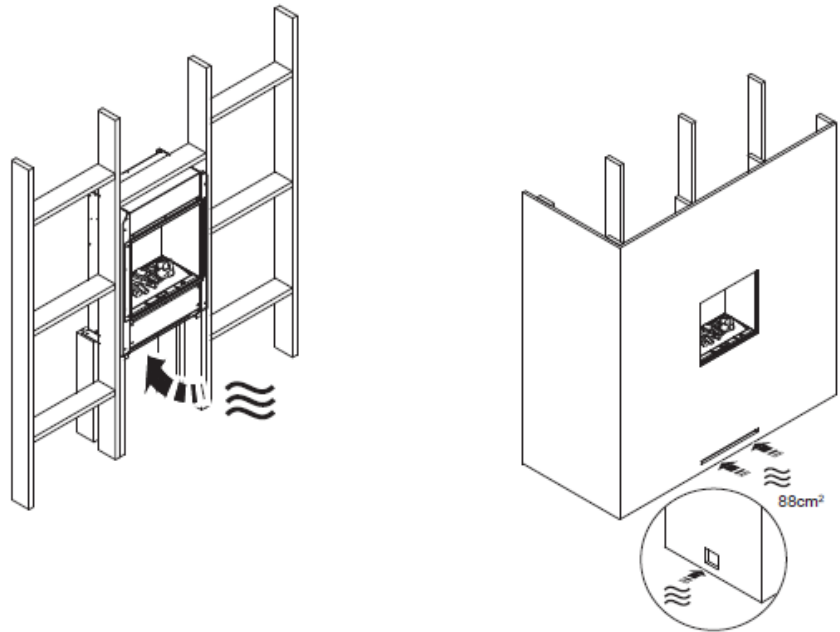
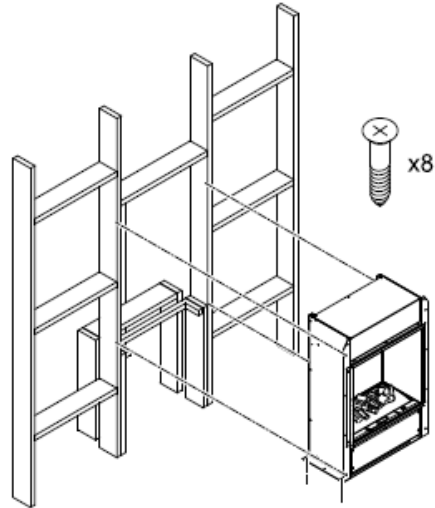
Tel(+351) 251 654 800  
Fax(+351) 251 654 801  
info@glammfire.com  
www.glammfire.com

*glamm*  
fire



GlammFire

# Kit Glamm H3D 800



## GlammFire

Glammfire, Lda.  
Zona Industrial da Lagoa, Lote G1  
Rua da Suíça, nº213  
4950-850 MONÇÃO  
PORTUGAL

Tel(+351) 251 654 800  
Fax(+351) 251 654 801  
info@glammfire.com  
www.glammfire.com

*glamm*  
fire

# Kit Glamm H3D 800

## Operating the Fire

Fig. 9

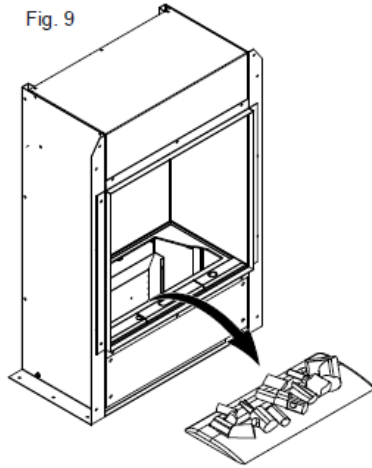
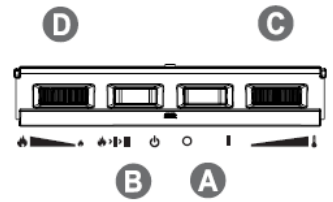


Fig. 10




### Controlo manual





The manual controls are located beneath the hinged flap. (See Fig. 10 for Manual Control lay out).

**Switch “A”:** Controls the electricity supply to the Fire.

Note: This switch must be in the “ON” ( **I** ) position for the Fire to operate either with or without heat.

**Switch “B”:** Press  once to turn on the flame effect. This will be indicated by an audible beep.

Although the main lights operate immediately it will take a further 30 seconds before the flame effect starts.

- Press  again to give flame effect and half heat. This will be indicated by two beeps.
- Press  again to give flame effect and full heat. This will be indicated by three beeps.
- Press  again to return to flame effect only. This will be indicated by one beep.
- Press  to put fire in to standby mode. This will be indicated by one beep.

## GlammFire

Glammfire, Lda.  
Zona Industrial da Lagoa, Lote G1  
Rua da Suíça, nº213  
4950-850 MONÇÃO  
PORTUGAL

Tel(+351) 251 654 800  
Fax(+351) 251 654 801  
info@glammfire.com  
www.glammfire.com

# Kit Glamm H3D 800

**Control knob "C":** Controls the Thermostat setting.

Turning the control knob to the left will decrease the temperature setting, turning the control knob to the right will increase the temperature setting.

**Control knob "D":** Controls the intensity of the flame effect.

Turning the control knob to the left increases the flame effect, turning the control knob to the right will decrease the flame effect.

## Setting the Thermostat

Ensure the fire is plugged in and switch it on to the full heat setting. Turn the Control Knob 'C' fully to the right (max temperature setting) to warm the room rapidly. When the room temperature has reached the desired level, turn the thermostat knob back slowly until you hear the thermostat just click off. The heater will then maintain the room temperature at the chosen level.

Note: Should your heater fail to come on when the thermostat is at a low setting, this may be due to the room temperature being higher than the thermostat setting.

## Thermal Safety Cut-out

A thermal safety cut-out is incorporated in the fan heater to prevent damage due to overheating. This can happen if the heat outlet was restricted in any way. If the cut-out operates, unplug the heater from the socket outlet and allow approximately 10 minutes before reconnecting. Before switching the heater back on remove any obstruction that may be restricting the heat outlet, then continue normal operation.

Caution: In order to avoid a hazard due to inadvertent resetting of the thermal cut out, this appliance must not be supplied through an external switching device, such as a timer, or connected to a switch that is regularly switched on and off by the utility.

## Getting The Desired Flame Effect

1. The flame control knob "D" (Fig.10) may be turned up or down to give a more realistic effect.
2. Generally the flames appear more realistic when the flame control is turned down.
3. Give the flame generator time to react to changes you may make.
4. The fire will use less water if the flame effect is set to a lower level.
5. Do not tilt or move the fire while there is water in the tank or sump.
6. Make sure that the fire is on a level floor.

## GlammFire

Glammfire, Lda.  
Zona Industrial da Lagoa, Lote G1  
Rua da Suiça, nº213  
4950-850 MONÇÃO  
PORTUGAL

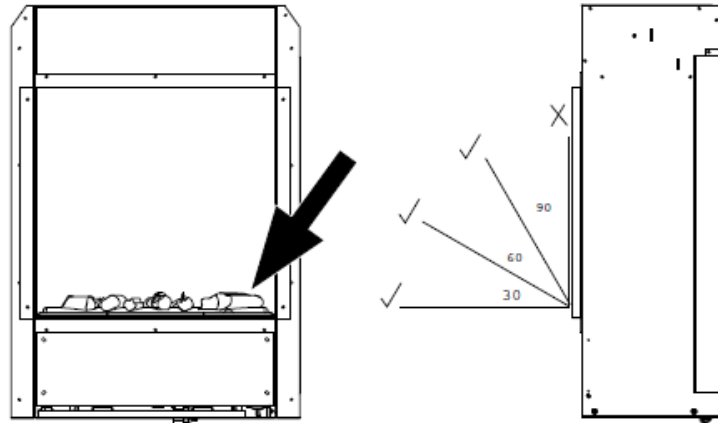
Tel(+351) 251 654 800  
Fax(+351) 251 654 801  
info@glammfire.com  
www.glammfire.com



## Kit Glamm H3D 800

Remote control:

Fig. 17



On the control panel, Switch A (Fig.10) must be in the 'ON' ( I ) position in order for the remote control to operate.

There are 3 buttons on the remote control. (Fig.12) To operate correctly the remote must be pointed towards the front of the grate. (Fig 17). The remote control functions are as follows:



Press once to turn on Flame effect only.  
This will be indicated by one beep.



Press once to turn on Half Heat and Flame Effect.  
This will be indicated by two beeps.  
Press again to turn on Full Heat and Flame Effect.  
This will be indicated by three beeps.



Standby  
This will be indicated by one beep.

### GlammFire

Glammfire, Lda.  
Zona Industrial da Lagoa, Lote G1  
Rua da Suíça, nº213  
4950-850 MONÇÃO  
PORTUGAL

Tel(+351) 251 654 800  
Fax(+351) 251 654 801  
info@glammfire.com  
www.glammfire.com

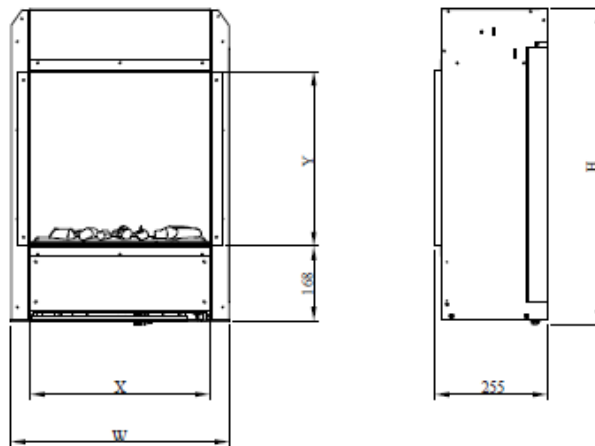
# Kit Glamm H3D 800

Since it utilizes simple elements such as light and water, the 3D is not only completely safe to those around it but is also environmentally friendly. With a hidden recipient capable of holding up to 1,1 lt. of filtered water the 3D has an autonomy of 8 hours of unattended operation offering the experience of a real fireplace with a minimum energy consumption and total safety.

The 3D Electric Fireplaces can be integrated into virtually any environment (room, bedroom, kitchen, bathroom, etc.) or directly in different types of structures (eg.: furniture or masonry). And since the system is totally safe for its users they are increasingly becoming part of projects led by architects, decorators and interior designers.

As ideal solution for public spaces the 3D has the added value of presenting itself as an eco-friendly product that does not contribute to the waste of energy nor harms the environment.

## Dimensions



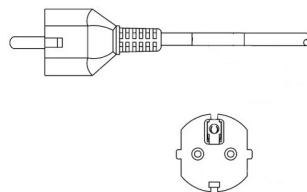
Modèle	"H"	"W"	"X"	"Y"
Glamm H3D 800	823	490	413	517

Supply Cord// Schuko CEE

## GlammFire

Glammfire, Lda.  
Zona Industrial da Lagoa, Lote G1  
Rua da Suiça, nº213  
4950-850 MONÇÃO  
PORTUGAL

Tel(+351) 251 654 800  
Fax(+351) 251 654 801  
info@glammfire.com  
www.glammfire.com



PT04186-E

*glamm*  
fire