


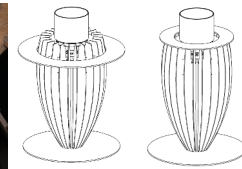
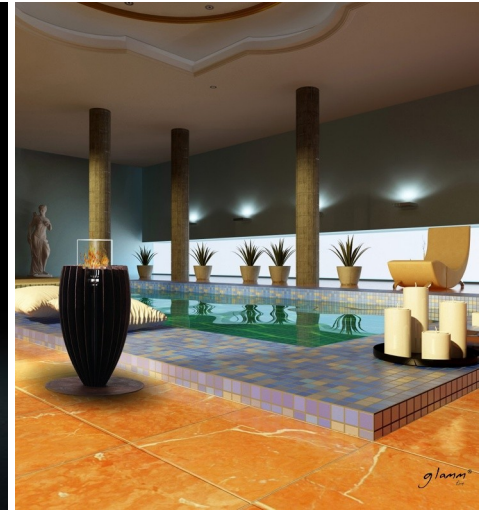
GlammFire

# Tuli

Fire Wonderland 

Materials//

Tuli /rusted corten steel



Inspired by nature in its purest state, Tuli distinguishes itself by its imposing posture and strong ego, where the elegance and accuracy of its lines stand out strongly. Its solidity and deep look allow it to engage in different environments, with more focus on the exterior.  
The terrace gets a new role.

Materials// Steel or corten steel

Finishings// Black lacquered steel - Rusted corten steel - Golden

Dimensions// 1324 h x 900 Ø mm  
52,1" h x 35,4" Ø

Weight//246 kg | 542,3 lbs

Accessories// Higher Glass - High temperature Resistant Glass included

Burner 1// 2 litres (liquid bioethanol)

Power// 2,70 kW

Burning time// Position min. 2 litres/ 6h  
Position max. 2 litres/ 4h

## GlammFire

Glammfire, Lda.  
Zona Industrial da Lagoa, Lote G1  
4950-850 CORTES - MONÇÃO  
PORTUGAL

Tel(+351) 251 654 800  
Fax(+351) 251 654 801  
info@glammfire.com  
www.glammfire.com

/CO detector included

Fireplace with mechanical burner in accordance with German Norm DIN 4734

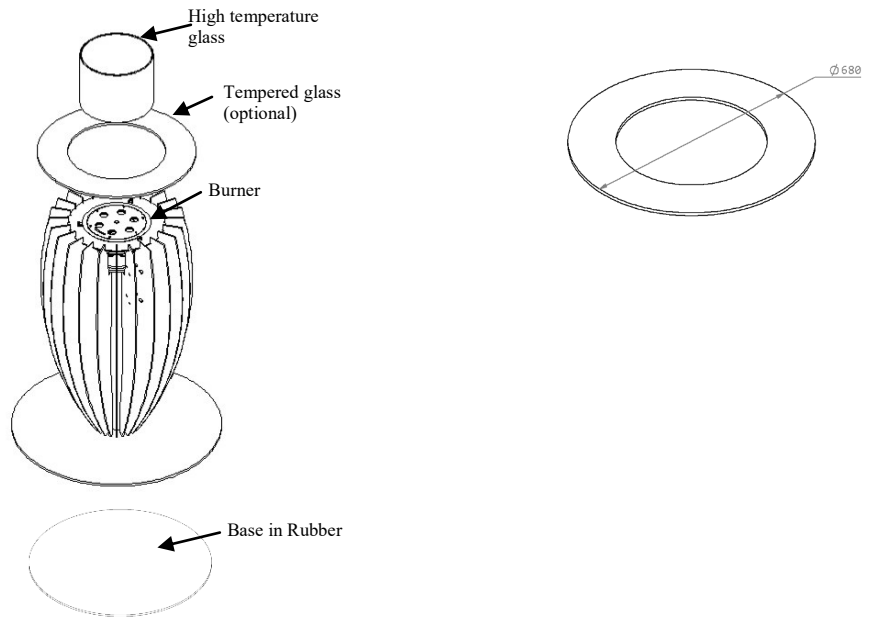
*glamm*<sup>®</sup>  
fire

GlammFire

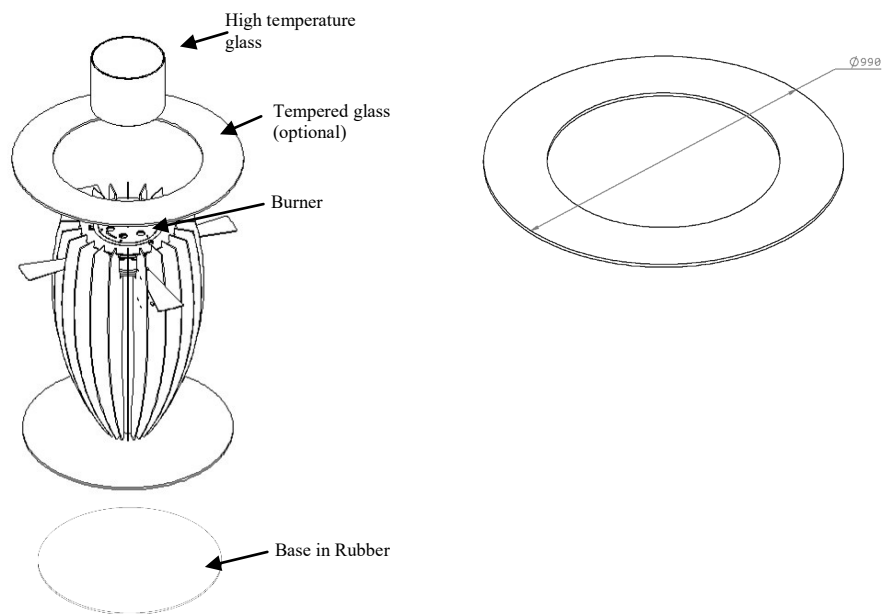
# Tuli

(optional)

First option - Tempered glass



Second option - Tempered glass



GlammFire

Glammfire, Lda.  
Zona Industrial da Lagoa, Lote G1  
4950-850 CORTES - MONÇÃO  
PORTUGAL

Tel(+351) 251 654 800  
Fax(+351) 251 654 801  
info@glammfire.com  
www.glammfire.com

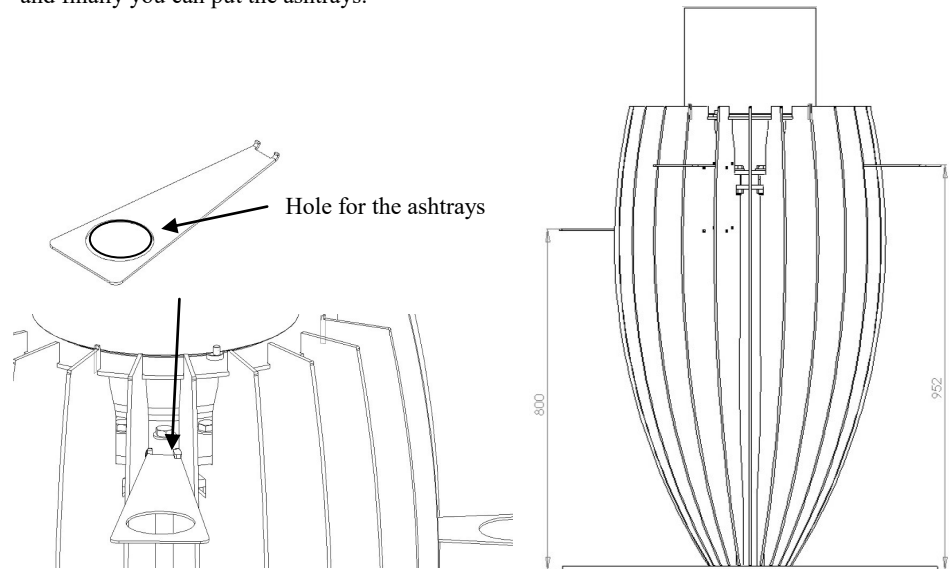
glamm<sup>®</sup>  
fire

GlammFire

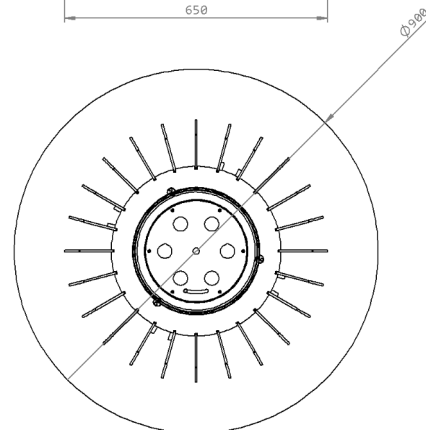
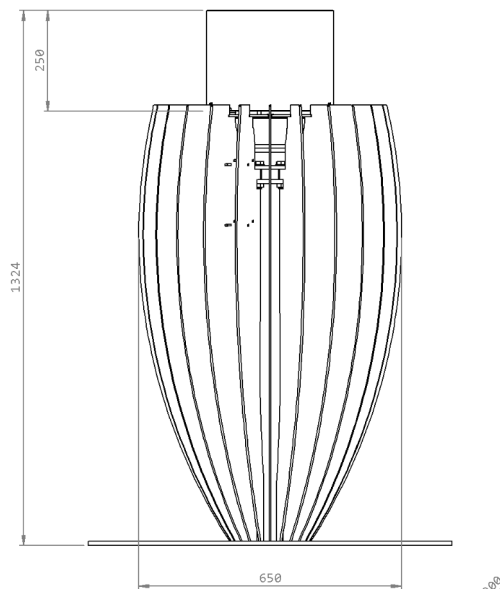
# Tuli

third option - 4 supports

To put the supports in your fireplace you must search the right place in the sides, fit them well fixed and finally you can put the ashtrays.



Placement of the 4 supports in the position chosen (height 800mm/953mm).



GlammFire

Glammfire, Lda.  
Zona Industrial da Lagoa, Lote G1  
4950-850 CORTES - MONÇÃO  
PORTUGAL

Tel(+351) 251 654 800  
Fax(+351) 251 654 801  
info@glammfire.com  
www.glammfire.com

*glamm*<sup>®</sup>  
fire

PT02555-E